

RANGE	CODE	MODEL	FUNCTION
MI - IIO	CR1305480	NBIO4EG	Bain-Marie

ITEM

Pass through electric bain maire top on open stand



RANGE	CODE	MODEL	FUNCTION
MI - IIO	CRI3O548O	NBIO4EG	Bain-Marie

ITEM

Pass through electric bain maire top on open stand

DETAILS



RANGE	CODE	MODEL	FUNCTION
MI - 110	CRI305480	NBIO4EG	Bain-Marie

ITEM

Pass through electric bain maire top on open stand



TECHNICAL SPECIFICATIONS

WIDTH (mm):	450		
DEPTH (mm):	1100		
HEIGHT (mm):	870		
WEIGHT (Kg):	38		
VOLUME (m ³):	0.5		
EL. POWER (kW):	1.8		
VOLTAGE:	VAC230		
INTERNAL BASE UNIT DIM. (mm):	390x960x375(h)		
COOKING ZONES N°:	1		
COOKING ZONE DETAILS:	1 x 2,2 kW		
TANK DIM. (mm):	1 x GNI/1 + 1/3 h150		
TANK N°:	1	CAPACITY (L):	9,5
CONTAINERS MAX N°:	4x GNI/3	CONTAINERS MAX H:	max h150
IP GRADE:	IPX5		
TEMP. RANGE (°C):	30-90		

DESCRIPTION

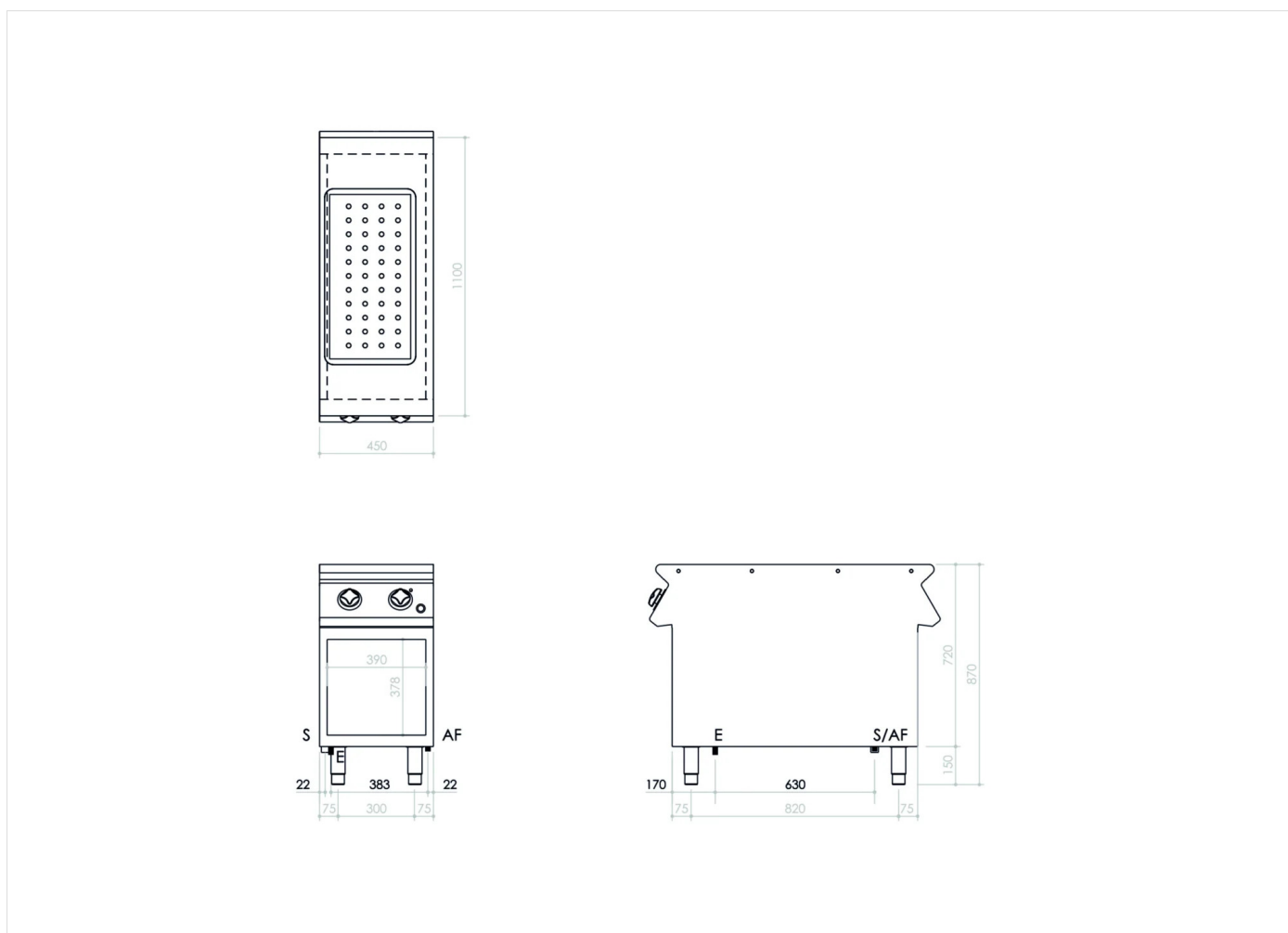
Pass-through, floor standing electric bain maire on open base unit made of AISI 304 stainless steel with a Scotch Brite finish. Heating occurs by means of armoured heating elements located under the tank. A thermostat is used to adjust the temperature with a setting that ranges from 30°C to 90°C. Automatic water loading system by a solenoid valve controlled by a button on the front control panel. The appliance has a perforated false bottom and a water drain by an overflow system (taps are no longer needed on the front part of the tank). The tank is suitable for 1 x GN 1/1+1/3 trays with a maximum height of 150 mm. Worktop with a continuous section, which can be assembled in accordance with your needs with head-to-head joints so as to guarantee hygiene and easy cleaning.



RANGE	CODE	MODEL	FUNCTION
MI - IIO	CR1305480	NBIO4EG	Bain-Marie

ITEM

Pass through electric bain maire top on open stand



INSTALLATION SPECIFICATIONS

(E) Electrical Connection:	VAC230 50/60Hz
(AF) Cold Water Inlet:	Ø1/2-H=670mm
(S) Output Drain:	Ø3/4"

