

RANGE	CODE	MODEL	FUNCTION
MI - 70	MAMCOOOO360	PL78ET	Plancha 2-in-1

ITEM

Electric plancha 2-in-1 800 mm width top

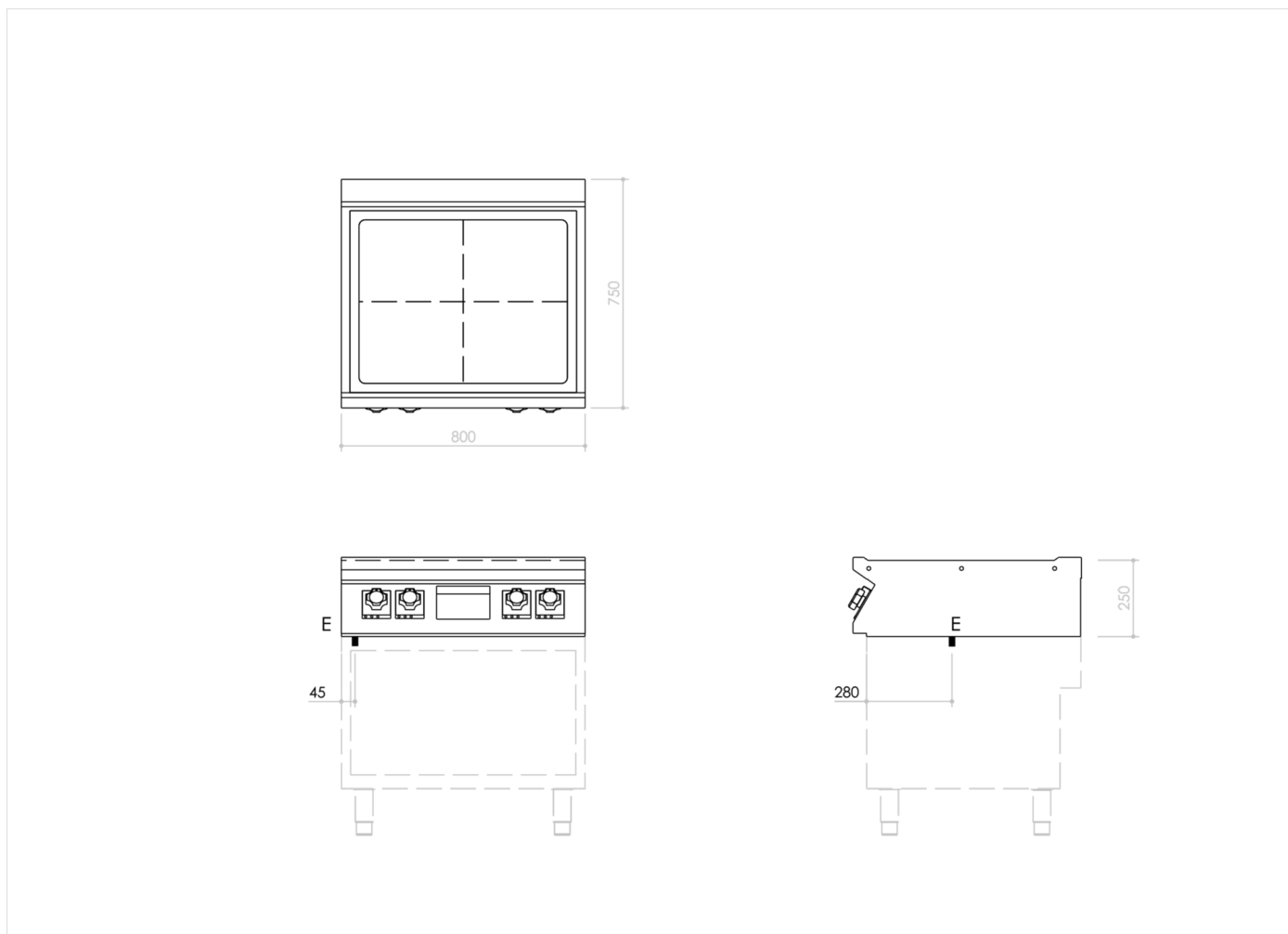




RANGE	CODE	MODEL	FUNCTION
MI - 70	MAMCOOOO360	PL78ET	Plancha 2-in-1

ITEM

Electric plancha 2-in-1 800 mm width top



**INSTALLATION SPECIFICATIONS**

(E) Electrical Connection: VAC400 3N 50/60 Hz

