

RANGE	CODE	MODEL	FUNCTION
MI - 110	CRI306430	NPCIOC9G	Pasta Cookers

ITEM

Single well gas pasta cooker, 42 litre water capacity

DETAILS



RANGE	CODE	MODEL	FUNCTION
MI - 110	CRI306430	NPCIOC9G	Pasta Cookers

ITEM

Single well gas pasta cooker, 42 litre water capacity



TECHNICAL SPECIFICATIONS

WIDTH (mm):	900		
DEPTH (mm):	550		
HEIGHT (mm):	870		
WEIGHT (Kg):	73		
VOLUME (m ³):	0.5		
GAS POWER (kW):	14		
COOKING ZONES N°:	1		
TANK DIM. (mm):	510x305x285h		
TANK N°:	1	CAPACITY (L):	42
IP GRADE:	IPX5		

DESCRIPTION

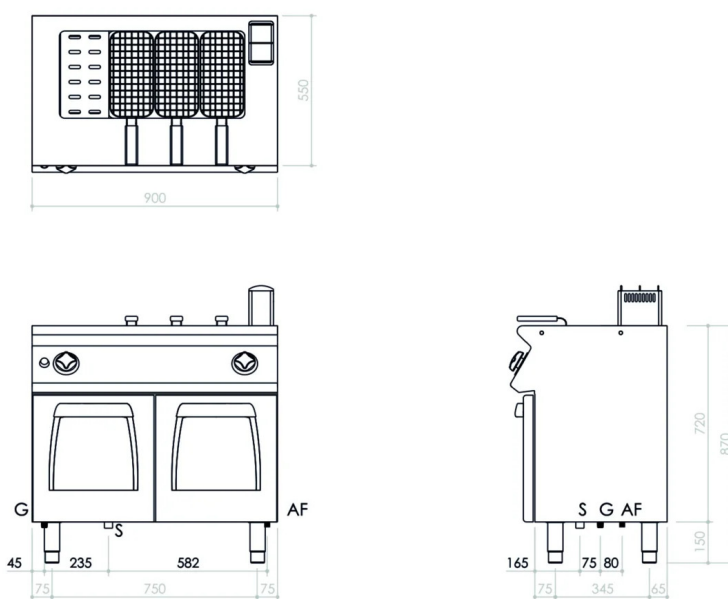
Pass-through, floor standing, single side gas pasta-cooker with one tank made of AISI 304 stainless steel. Working top with a 20/10 thickness. Deep drawn tank made of polished AISI 316 stainless steel with a rounded bottom for easy cleaning. Heating by means of steel burners with a stabilised flame, complete with a pilot burner and safety thermocouple. Gas supply controlled by gas valve with fine regulation. Automatic ignition by means of a piezoelectric device. 42-litre tank. Dimensions of the tank are mm. 510x305x285h. Water is supplied by a dispenser, floor standing drain. Overflow device. Safety pressure switch to avoid heating in the tank in case there is no water. Worktop with a continuous section, which can be assembled in accordance with your needs with head-to-head joints so as to guarantee hygiene and easy cleaning. Height adjustable feet made of stainless steel.



RANGE	CODE	MODEL	FUNCTION
MI - 110	CRI306430	NPCIOC9G	Pasta Cookers

ITEM

Single well gas pasta cooker, 42 litre water capacity



INSTALLATION SPECIFICATIONS

(G) Gas Inlet:	Ø1/2"
(S) Output Drain:	Ø3/4"

