

RANGE	CODE	MODEL	FUNCTION
MI - 110	CRI306310	NPC104G	<b>Pasta Cookers</b>

ITEM

**Pass through single well gas pasta cooker, 42 litre water capacity**



RANGE	CODE	MODEL	FUNCTION
MI - 110	CRI306310	NPC104G	Pasta Cookers

ITEM

Pass through single well gas pasta cooker, 42 litre water capacity

DETAILS



RANGE	CODE	MODEL	FUNCTION
MI - 110	CRI306310	NPC104G	Pasta Cookers

ITEM

Pass through single well gas pasta cooker, 42 litre water capacity



**TECHNICAL SPECIFICATIONS**

WIDTH (mm):	<b>450</b>
DEPTH (mm):	<b>1100</b>
HEIGHT (mm):	<b>870</b>
WEIGHT (Kg):	<b>73</b>
VOLUME (m <sup>3</sup> ):	<b>0.5</b>
GAS POWER (kW):	<b>14</b>
COOKING ZONES N°:	<b>1</b>
TANK DIM. (mm):	<b>305x510x285h</b>
TANK N°:	<b>1</b>
CAPACITY (L):	<b>42</b>
IP GRADE:	<b>IPX5</b>

**DESCRIPTION**

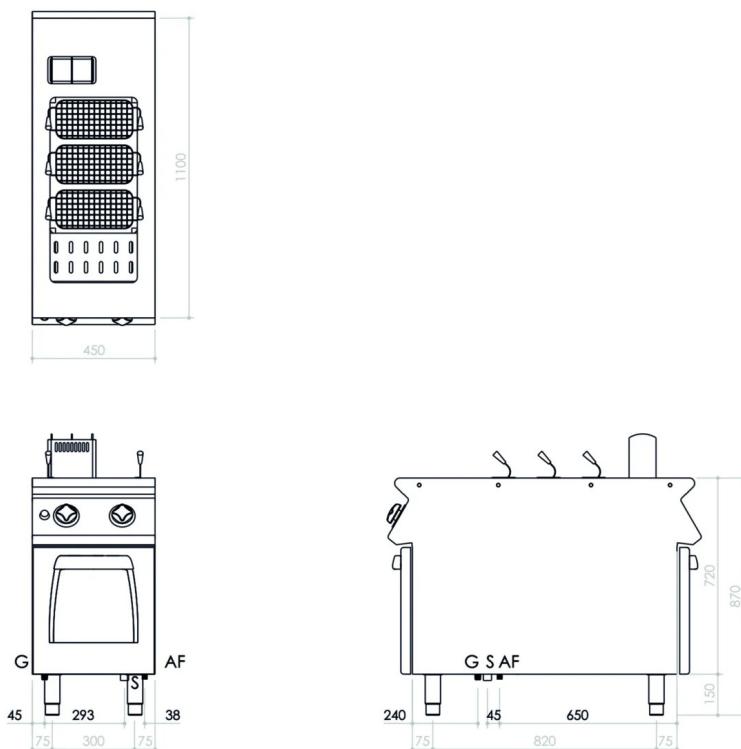
Pass-through, floor standing gas pasta-cooker with one tank, made of AISI 304 stainless steel. Upper top with a 20/10 thickness. Deep drawn tank made of polished AISI 316 stainless steel with a rounded bottom for easy cleaning. Heating occurs by means of steel burners with a stabilised flame, complete with a pilot burner and safety thermocouple. Gas supply controlled by gas valve with fine regulation. Automatic ignition by means of a piezoelectric device. 42-litre tank. Dimensions of the tank are mm. 510x305x285h. Water is supplied by a dispenser, floor standing drain. Overflow device. Safety pressure switch to avoid heating in the tank in case there is no water. Worktop with a continuous section, which can be assembled in accordance with your needs with head-to-head joints so as to guarantee hygiene and easy cleaning. Height adjustable feet made of stainless steel.



RANGE	CODE	MODEL	FUNCTION
MI - 110	CRI306310	NPC104G	Pasta Cookers

ITEM

Pass through single well gas pasta cooker, 42 litre water capacity



**INSTALLATION SPECIFICATIONS**

(G) Gas Inlet:	Ø1/2"
(S) Output Drain:	Ø3/4"

