

RANGE	CODE	MODEL	FUNCTION
MI - 110	CRI306330	NPCIOC9E	Pasta Cookers

ITEM

Single well electric pasta cooker, 42 litre water capacity



RANGE	CODE	MODEL	FUNCTION
MI - 110	CRI306330	NPCIOC9E	Pasta Cookers

ITEM

Single well electric pasta cooker, 42 litre water capacity

DETAILS



RANGE	CODE	MODEL	FUNCTION
MI - 110	CRI306330	NPCIOC9E	Pasta Cookers

ITEM

Single well electric pasta cooker, 42 litre water capacity



TECHNICAL SPECIFICATIONS

WIDTH (mm):	900		
DEPTH (mm):	550		
HEIGHT (mm):	870		
WEIGHT (Kg):	83		
VOLUME (m ³):	0.5		
EL. POWER (kW):	8.5		
VOLTAGE:	VAC400 3N		
COOKING ZONES N°:	1		
TANK DIM. (mm):	510x305x285h		
TANK N°:	1	CAPACITY (L):	42
IP GRADE:	IPX5		

DESCRIPTION

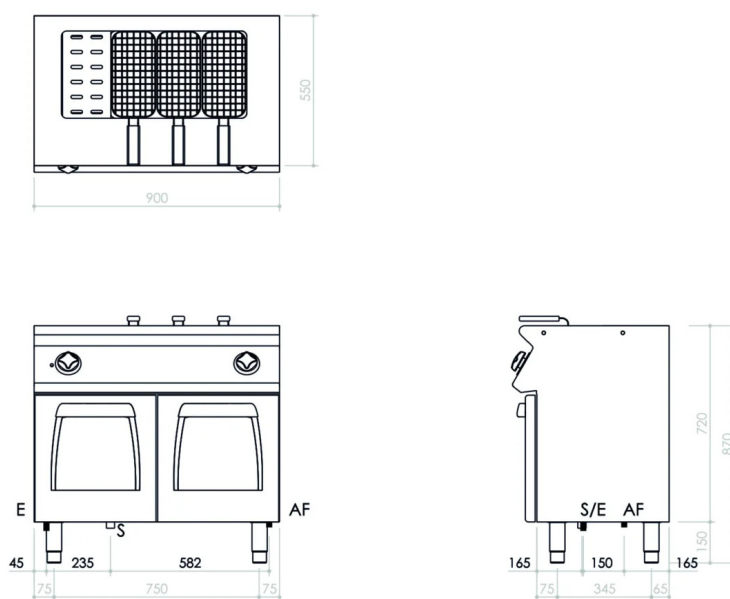
Pass-through, floor standing, single side electric pasta-cooker with one tank, made of AISI 304 stainless steel. Upper top with a 20/10 thickness. Deep drawn tank made of polished AISI 316 stainless steel with a rounded bottom for easy cleaning. Heating occurs by means of armoured heating elements placed inside the tank to optimise efficiency, which can be tilted to facilitate the cleaning of the tub. Heating is controlled by a power regulator for enhanced boiling control. 42-litre tank. Equipped with a manual-reset safety thermostat. Dimensions of the tub: mm 510x305x285h. Water is supplied by a dispenser, floor-standing drain. Overflow device. Safety pressure switch to avoid heating in the tank in case there is no water. Worktop with a continuous section, which can be assembled in accordance with your needs with head-to-head joints so as to guarantee hygiene and easy cleaning. Height adjustable feet made of stainless steel.



RANGE	CODE	MODEL	FUNCTION
MI - 110	CRI306330	NPCIOC9E	Pasta Cookers

ITEM

Single well electric pasta cooker, 42 litre water capacity



INSTALLATION SPECIFICATIONS

(E) Electrical Connection:	VAC400 3N 50Hz
(S) Output Drain:	Ø3/4"

