

RANGE	CODE	MODEL	FUNCTION
MI - 110	CRI306320	NPCIO4E	<b>Pasta Cookers</b>

ITEM

**Pass through single well electric pasta cooker, 42 litre water capacity**

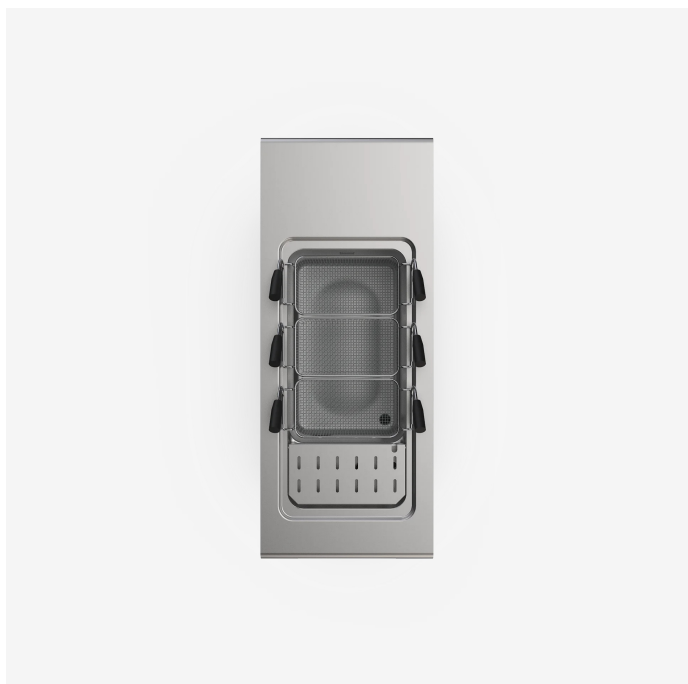


RANGE	CODE	MODEL	FUNCTION
MI - 110	CRI306320	NPCIO4E	Pasta Cookers

ITEM

Pass through single well electric pasta cooker, 42 litre water capacity

DETAILS



RANGE	CODE	MODEL	FUNCTION
MI - 110	CRI306320	NPCIO4E	Pasta Cookers

ITEM

Pass through single well electric pasta cooker, 42 litre water capacity



**TECHNICAL SPECIFICATIONS**

WIDTH (mm):	450		
DEPTH (mm):	1100		
HEIGHT (mm):	870		
WEIGHT (Kg):	67		
VOLUME (m <sup>3</sup> ):	0.5		
EL. POWER (kW):	8.5		
VOLTAGE:	VAC400 3N		
COOKING ZONES N°:	1		
TANK DIM. (mm):	305x510x285h		
TANK N°:	1	CAPACITY (L):	42
IP GRADE:	IPX5		

**DESCRIPTION**

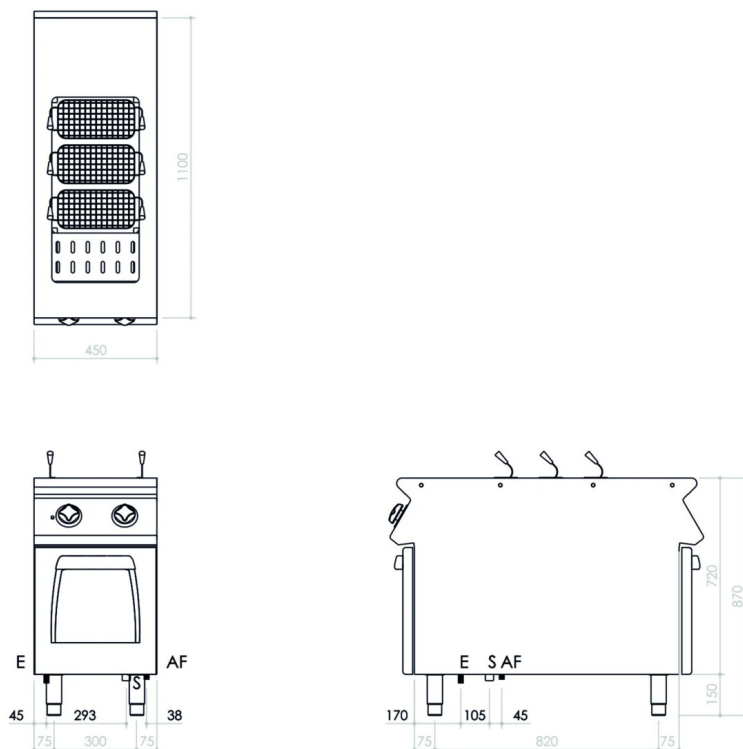
Pass-through, floor standing Electric pasta-cooker with one tank, made of AISI 304 stainless steel. Upper top with a 20/10 thickness. Deep drawn tank made of polished AISI 316 stainless steel with a rounded bottom for easy cleaning. Heating by means of armoured heating element placed inside the tank to optimise efficiency, which can be tilted to facilitate the cleaning of the tub. Heating is controlled by a power regulator for enhanced boiling control. 42-litre tank capacity. Dimensions of the tub are mm. 305x510x285h. Water is supplied by a dispenser, floor-standing drain. Overflow device. Safety pressure switch to avoid heating in the tank in case there is no water. Worktop with a continuous section, which can be assembled in accordance with your needs with head-to-head joints so as to guarantee hygiene and easy cleaning. Height adjustable feet made of stainless steel.



RANGE	CODE	MODEL	FUNCTION
MI - 110	CRI306320	NPCIO4E	Pasta Cookers

ITEM

Pass through single well electric pasta cooker, 42 litre water capacity



**INSTALLATION SPECIFICATIONS**

(E) Electrical Connection: VAC400 3N 50Hz

(S) Output Drain: Ø3/4"

