

RANGE

MO Compact Combi Ovens

MODEL

MICCTO6IE

FUNCTION

MO Ovens - 6x GN I/I

ITEM

Electric direct steam combi oven 6 x GN I/I



RANGE

**MO Compact Combi Ovens**

MODEL

**MICCTO6IE**

FUNCTION

**MO Ovens - 6x GN I/I**

ITEM

**Electric direct steam combi oven 6 x GN I/I**



**TECHNICAL SPECIFICATIONS**

WIDTH (mm):	<b>510</b>
DEPTH (mm):	<b>880</b>
HEIGHT (mm):	<b>880</b>
WEIGHT (Kg):	<b>73</b>
VOLUME (m <sup>3</sup> ):	<b>0.4</b>
EL. POWER (kW):	<b>7.75</b>
VOLTAGE:	<b>VAC400 3N</b>
OVEN CAPACITY:	<b>6 x GN I/I</b>
GN TRAY SPACING	<b>60</b>
NUMBER OF MEALS	<b>30/80</b>



RANGE

**MO Compact Combi Ovens**

MODEL

**MICCTO6IE**

FUNCTION

**MO Ovens - 6x GN I/I**

ITEM

**Electric direct steam combi oven 6 x GN I/I**

## DESCRIPTION

Electric direct steam combi oven. Automatic with 95 cooking programmes, including programmes for reheating on the plate or in the pan. Programmable with the ability to store 99 cooking programmes in automatic sequence, assigning a name and dedicated icon. Manual cooking with three cooking modes and instant cooking start: convection from 30°C to 260°C, steam from 30°C to 130°C, combination convection + steam from 30°C to 260°C. Programming that can be used to work with 9 cycles in automatic sequence. CLIMA, automatic measurement and control system for humidity levels in the cooking chamber. Electronic Touch sensitive control panel. High-visibility alphanumeric display. Autoreverse (automatic inversion of the direction of the fan) for perfectly uniform cooking. Automatic chamber venting control. Timed LED cooking chamber lighting. Perfectly smooth cooking chamber walls with rounded edges. Internal glass with book opening for ease of cleaning. Left or right-hand opening handle. Extractable deflector for ease of cleaning of the fan bay. IPX3 water jet protection. Cooking compartment heating elements of armoured type. Cooking compartment safety thermostat. Cooking compartment safety device for pressure built-up and depression. Fan motor thermic protection. Mechanical door switch. Lack of water displayed alarm. Self-diagnosis and fault display. Component cooling system with overheat display control. Standard equipment side runners, space between shelves 70mm. Cooking chamber capacity: 6 x GN I/I (530x325mm). Number of meals 30 - 80.



RANGE

MO Compact Combi Ovens

MODEL

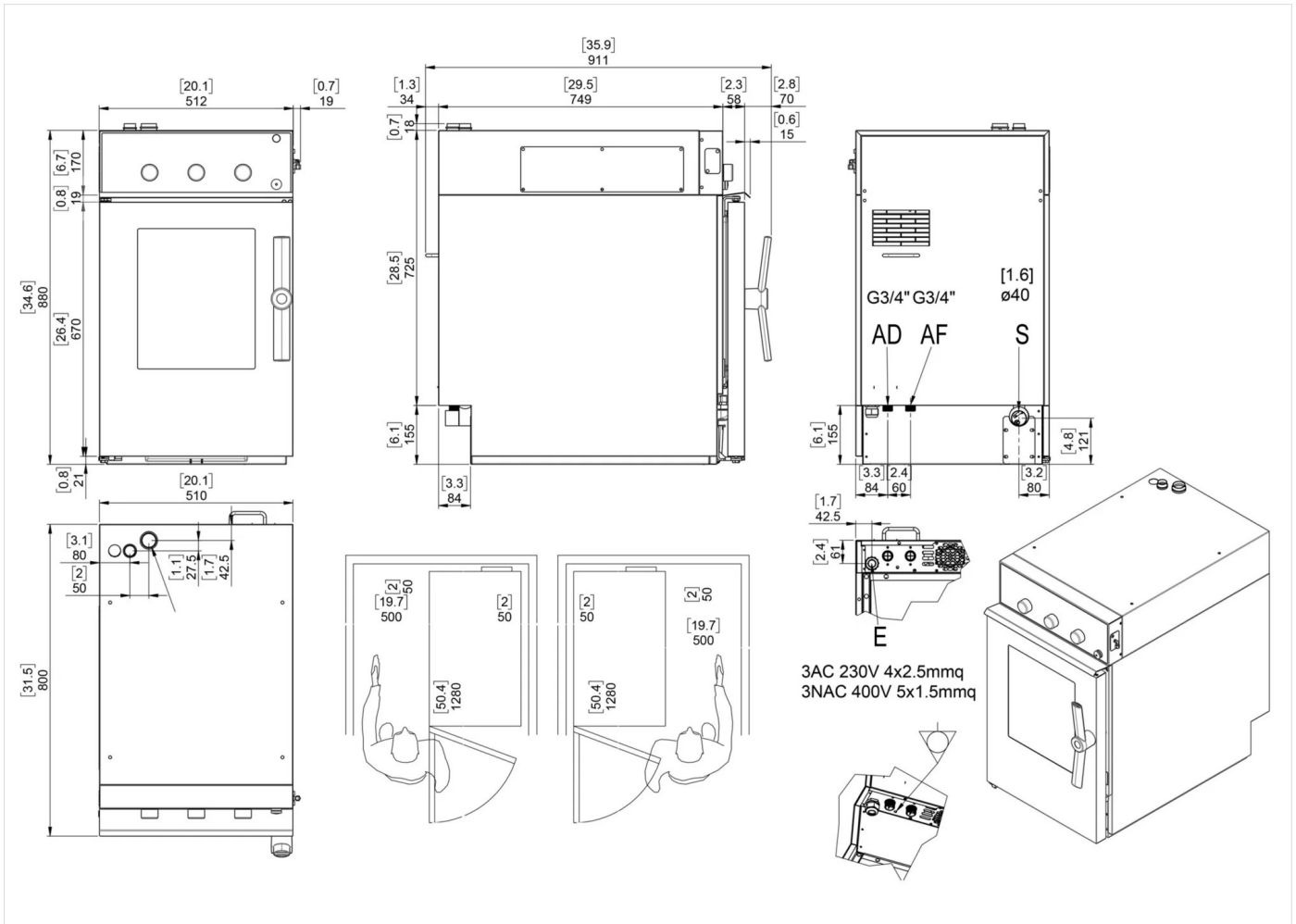
MICCTO6IE

FUNCTION

MO Ovens - 6x GN I/I

ITEM

Electric direct steam combi oven 6 x GN I/I



## INSTALLATION SPECIFICATIONS

(E) Electrical Connection:

VAC400 3N 50/60Hz

