

| RANGE | CODE | MODEL | FUNCTION |
|---------|-------------|----------|-----------------------------|
| MI - 70 | MAMCOOO2O9O | FT78EMT# | Griddles - Mild Steel Plate |

ITEM

Electric griddle top with 2/3 smooth and 1/3 ribbed plate



| RANGE | CODE | MODEL | FUNCTION |
|---------|-------------|----------|-----------------------------|
| MI - 70 | MAMCOOO2090 | FT78EMT# | Griddles - Mild Steel Plate |

ITEM

Electric griddle top with 2/3 smooth and 1/3 ribbed plate



TECHNICAL SPECIFICATIONS

| | |
|---------------------------|---|
| WIDTH (mm): | 800 |
| DEPTH (mm): | 750 |
| HEIGHT (mm): | 250 |
| WEIGHT (Kg): | 93 |
| VOLUME (m ³): | 0.4 |
| EL. POWER (kW): | 10.8 |
| VOLTAGE: | VAC400-3N |
| COOKING ZONES N°: | 2 |
| COOKING ZONES DIM. (mm): | 735x530 mm |
| COOKING ZONE DETAILS: | 2x 5,4 kW |
| PRODUCT SPECIFICATIONS: | 2/3 Smooth, 1/3 Ribbed Mild Steel Plate |
| IP GRADE: | IPX5 |
| TEMP. RANGE (°C): | 0-280 °C |

DESCRIPTION

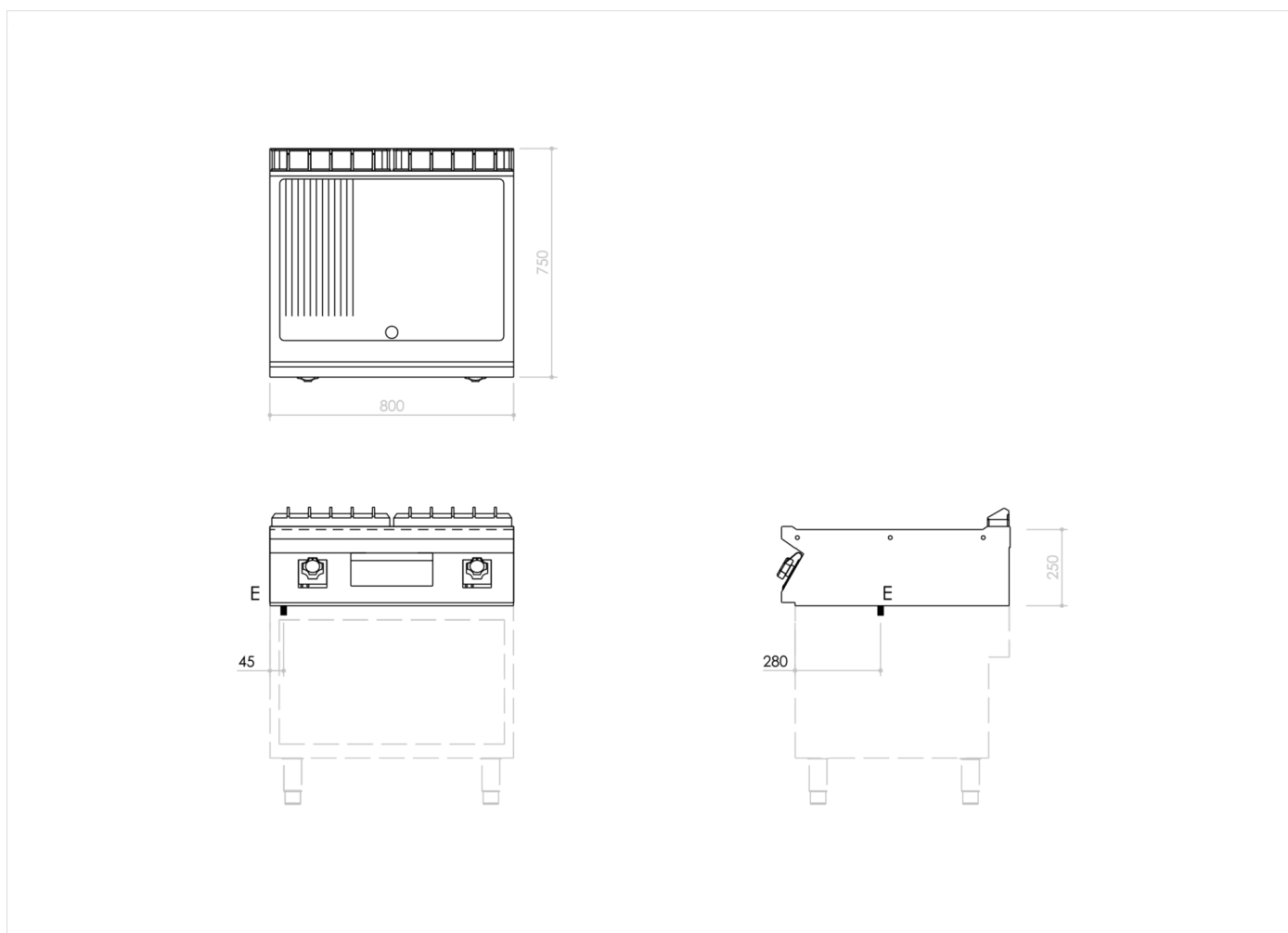
Electric griddle in AISI 304 stainless steel. 20/10 pressed steel top with anti-spill front edge, designed for flush alignment with hermetic seal supplied. Top designed to accommodate water column accessory. Cooking surface with sloping hotplate, 1/3 ribbed 2/3 smooth. Hotplate recessed 40 mm compared to worktop, fully welded construction for guaranteed ease of cleaning. Cooking surface with 65 mm cold zone at front of hotplate. Round Ø 40 mm drain hole for fat. Grease collection tub with 1.5 litre capacity. Heating by means of armoured elements in Incoloy. Heat control knob shaped to prevent water infiltration, equipped with integral indicator lights for instant recognition of heating and correct operation of the appliance. Cooking temperature thermostatically controlled, with adjustment from 110 to 280 °C. Safety thermostat trips in the event of working thermostat malfunction. Cooking surface 735x530 mm. Scraper supplied for smooth hotplate. IPX5 water-resistant rating.



| RANGE | CODE | MODEL | FUNCTION |
|---------|-------------|----------|-----------------------------|
| MI - 70 | MAMCOOO2O9O | FT78EMT# | Griddles - Mild Steel Plate |

ITEM

Electric griddle top with 2/3 smooth and 1/3 ribbed plate



INSTALLATION SPECIFICATIONS

(E) Electrical Connection: VAC400-3N 50/60 Hz

