

RANGE	CODE	MODEL	FUNCTION
<b>MI - 70</b>	<b>MAMCOOO2830</b>	<b>GL78GIT</b>	<b>Grills</b>

ITEM

**Gas charcoal grill 800 mm width top with lava rocks and stainless steel grid**



RANGE	CODE	MODEL	FUNCTION
MI - 70	MAMCOOO2830	GL78GIT	Grills

ITEM

**Gas charcoal grill 800 mm width top with lava rocks and stainless steel grid**



**TECHNICAL SPECIFICATIONS**

WIDTH (mm):	<b>800</b>
DEPTH (mm):	<b>750</b>
HEIGHT (mm):	<b>250</b>
WEIGHT (Kg):	<b>53</b>
VOLUME (m <sup>3</sup> ):	<b>0.4</b>
GAS POWER (kW):	<b>20</b>
COOKING ZONES N°:	<b>2</b>
COOKING ZONES DIM. (mm):	<b>780x485 mm</b>
COOKING ZONE DETAILS:	<b>2x 10 kW</b>

**DESCRIPTION**

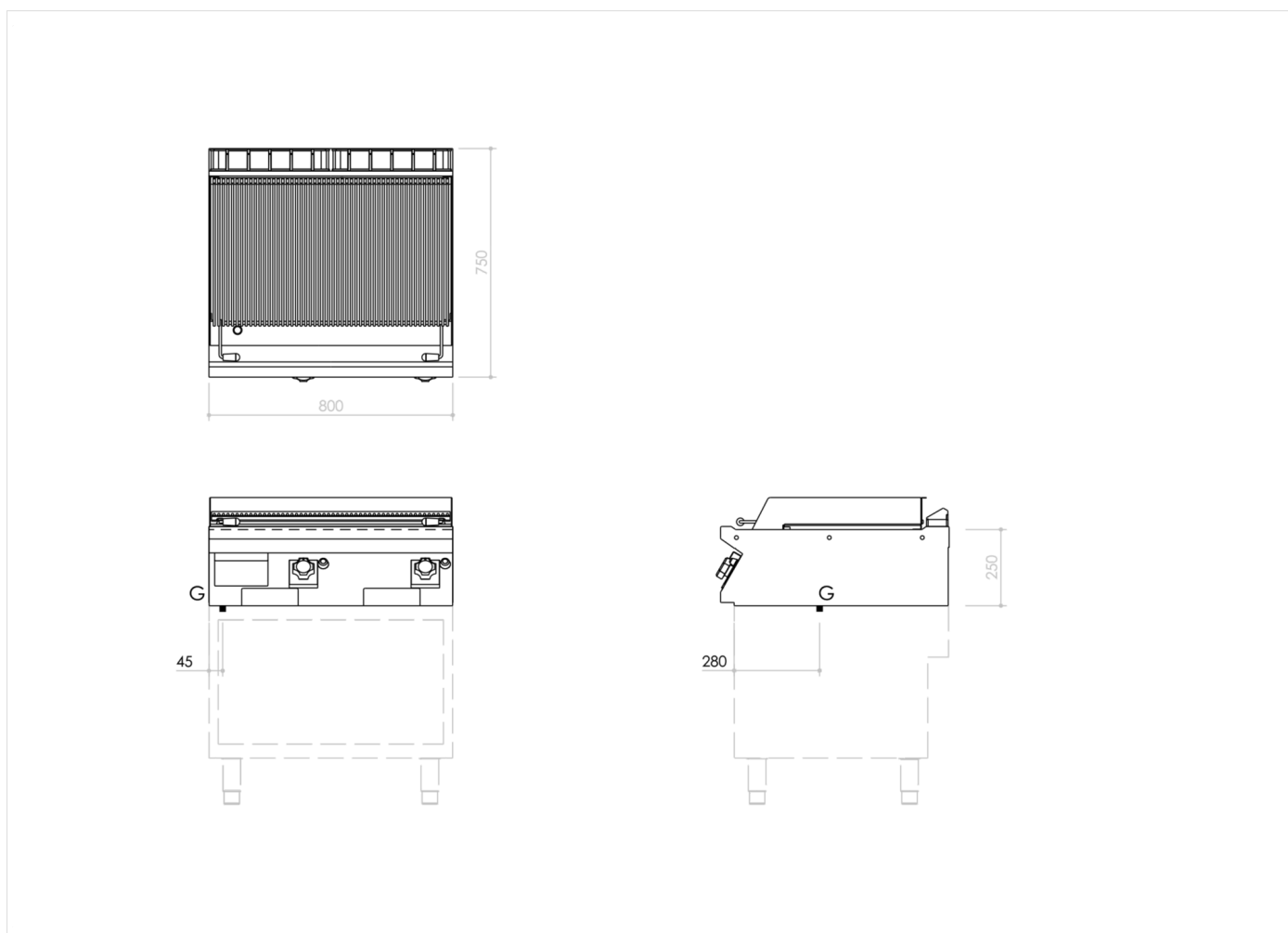
Gas charcoal grill top in AISI 304 stainless steel. 20/10 pressed steel top with anti-spill front edge, designed for flush alignment with hermetic seal supplied. Top designed to accommodate water column accessory. The cooking grill has two height settings to ensure optimum grilling. The grill is equipped with a removable grease collection tray for easy cleaning. Heated by stabilised flame steel burners with pilot burner and safety thermocouple. Heating control knob shaped to prevent water infiltration. Heating controlled by safety valve gas tap. Steel grid supplied. The model includes 4 bags of lava stone as standard.



RANGE	CODE	MODEL	FUNCTION
MI - 70	MAMCOOO2830	GL78GIT	Grills

ITEM

Gas charcoal grill 800 mm width top with lava rocks and stainless steel grid



**INSTALLATION SPECIFICATIONS**

(G) Gas Inlet:	Ø1/2"
----------------	-------

