

RANGE	CODE	MODEL	FUNCTION
MO - 70	CRI500950	NEFT78GLCVG	Griddles

ITEM

Gas griddle top with smooth chromed plate on open stand

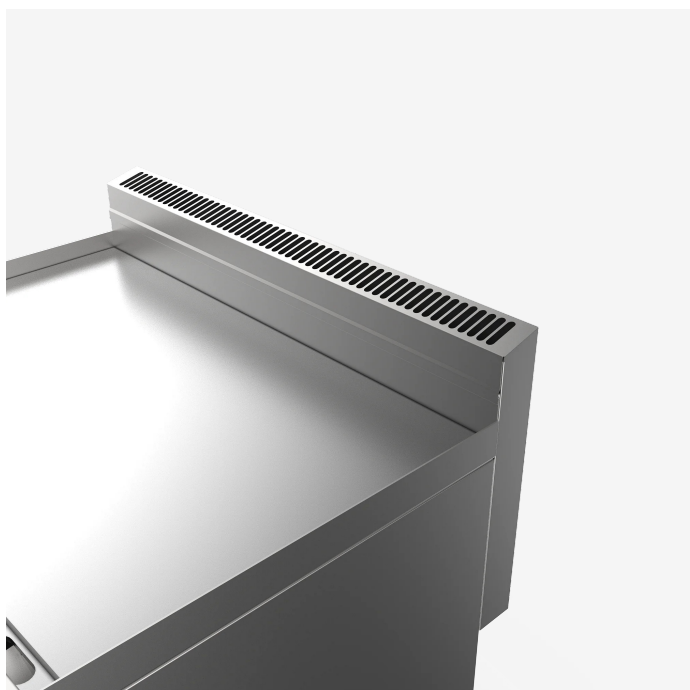


RANGE	CODE	MODEL	FUNCTION
MO - 70	CR1500950	NEFT78GLCVG	Griddles

ITEM

Gas griddle top with smooth chromed plate on open stand

DETAILS



RANGE	CODE	MODEL	FUNCTION
MO - 70	CR1500950	NEFT78GLCVG	Griddles

ITEM

Gas griddle top with smooth chromed plate on open stand



TECHNICAL SPECIFICATIONS

WIDTH (mm):	800
DEPTH (mm):	700
HEIGHT (mm):	870
WEIGHT (Kg):	87
VOLUME (m ³):	0.8
GAS POWER (kW):	12.5
INTERNAL BASE UNIT DIM. (mm):	760x560x340(h)
COOKING ZONES N°:	2
COOKING ZONES DIM. (mm):	796x555mm
PRODUCT SPECIFICATIONS:	Smooth Chromed Plate
TEMP. RANGE (°C):	0-350 °C

DESCRIPTION

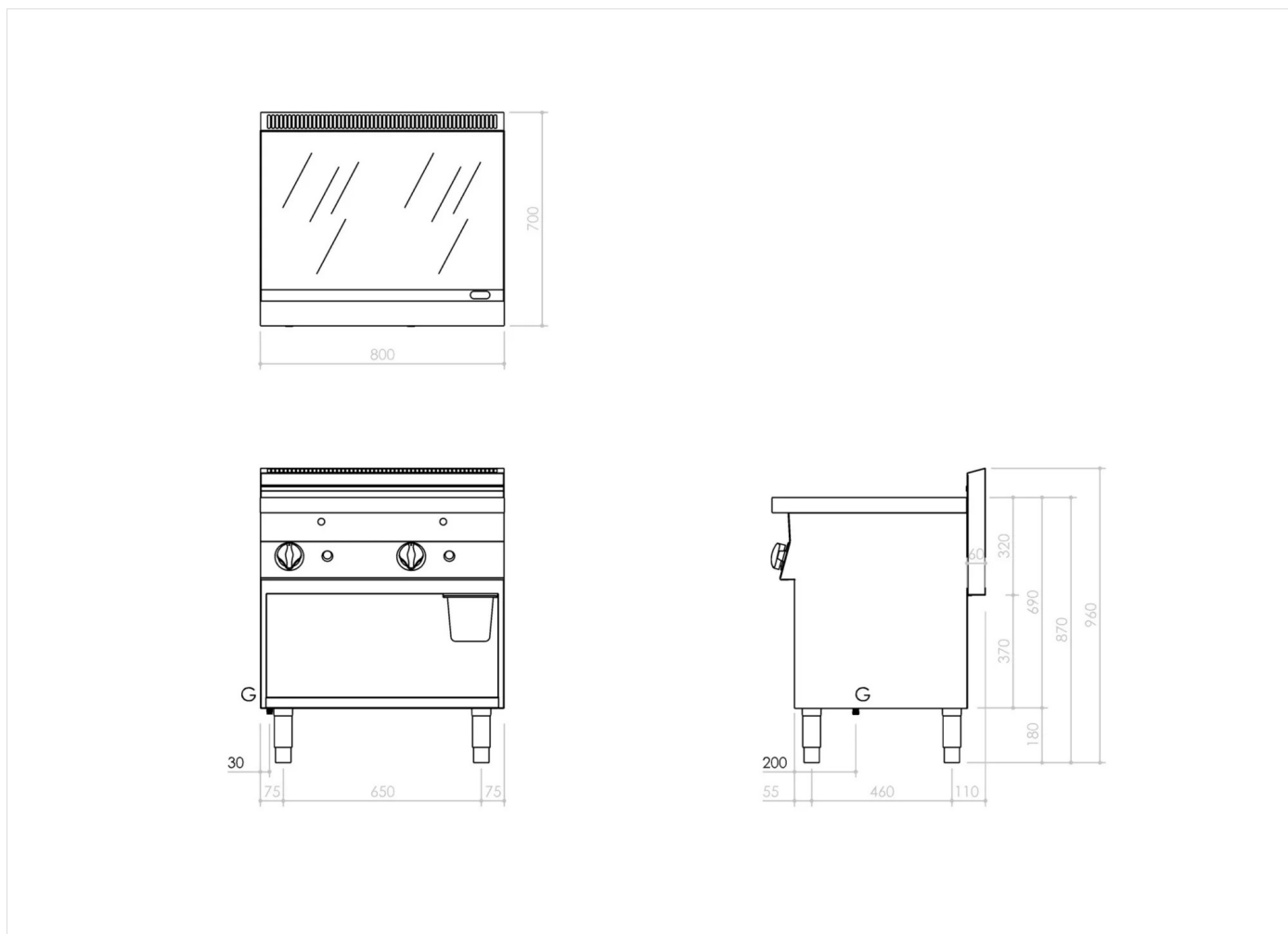
Gas griddle on open base unit with smooth Aisi 430 stainless steel plate. Equipped with splash guard on three sides and a front drain channel to collect cooking liquids/fats towards a removable tray located under the cooking plate into the open base unit. Two independent cooking zones. Heating by tubular steel burners complete with pilot burner and safety thermocouple. Gas supply controlled by means of a valved tap. Cooking surface 79.6x55.5 cm. Plate-cleaning scraper supplied. Open base unit made of stainless steel. Height-adjustable feet in stainless steel. The product complies with the EC regulation 1935/2004 and the DM 21/03/1973 (Materials and Objects intended to come into contact with Food) MOCA.



RANGE	CODE	MODEL	FUNCTION
MO - 70	CR1500950	NEFT78GLCVG	Griddles

ITEM

Gas griddle top with smooth chromed plate on open stand



INSTALLATION SPECIFICATIONS

(G) Gas Inlet: $\text{Ø}1/2''$

