

RANGE	CODE	MODEL	FUNCTION
MI - 60	CRO852950	C64GP	Gas Ranges

ITEM

2 gas enhanced burner boiling top



RANGE	CODE	MODEL	FUNCTION
MI - 60	CRO852950	C64GP	Gas Ranges

ITEM

2 gas enhanced burner boiling top



TECHNICAL SPECIFICATIONS

WIDTH (mm):	400
DEPTH (mm):	650
HEIGHT (mm):	295
WEIGHT (Kg):	21
VOLUME (m ³):	0.22
GAS POWER (kW):	12
COOKING ZONES N°:	2
COOKING ZONE DETAILS:	2x 6 kW
IP GRADE:	IPX3

DESCRIPTION

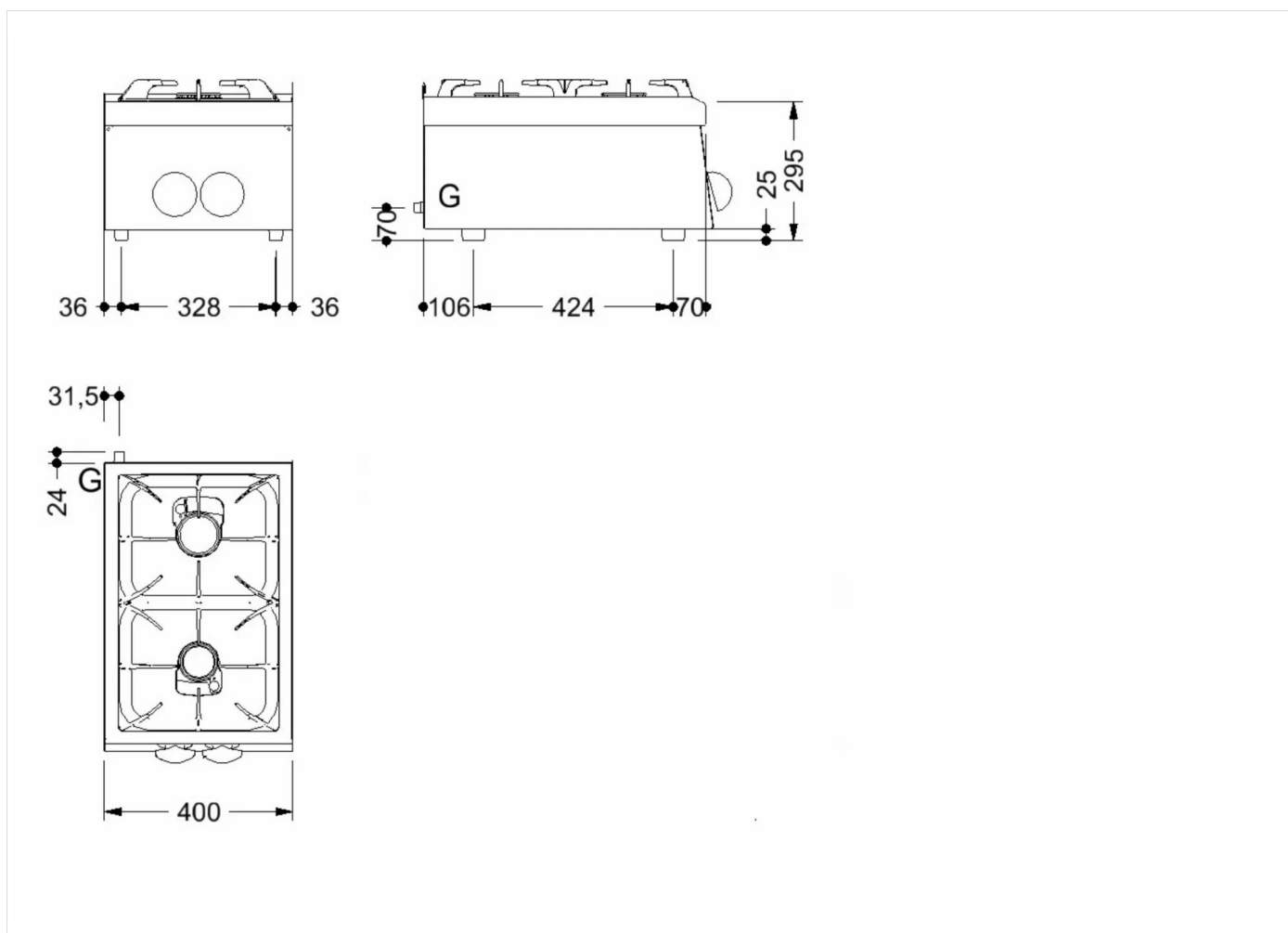
Gas heated boiling top with 2 cast iron burners with 6 kW. Gas cock c/w safety valve.



RANGE	CODE	MODEL	FUNCTION
MI - 60	CRO852950	C64GP	Gas Ranges

ITEM

2 gas enhanced burner boiling top



INSTALLATION SPECIFICATIONS

(G) Gas Inlet: $\text{Ø}1/2''$

