

RANGE	CODE	MODEL	FUNCTION
MI - 60	CRO853171	I64E	Induction Ranges

ITEM

Single zone induction top



RANGE	CODE	MODEL	FUNCTION
MI - 60	CRO853171	I64E	Induction Ranges

ITEM

Single zone induction top



TECHNICAL SPECIFICATIONS

WIDTH (mm):	400
DEPTH (mm):	650
HEIGHT (mm):	295
WEIGHT (Kg):	16
VOLUME (m ³):	0.15
EL. POWER (kW):	5
VOLTAGE:	VAC400 3N
COOKING ZONES N°:	1
COOKING ZONES DIM. (mm):	Ø220mm
COOKING ZONE DETAILS:	1x 5kW
IP GRADE:	IPX3

DESCRIPTION

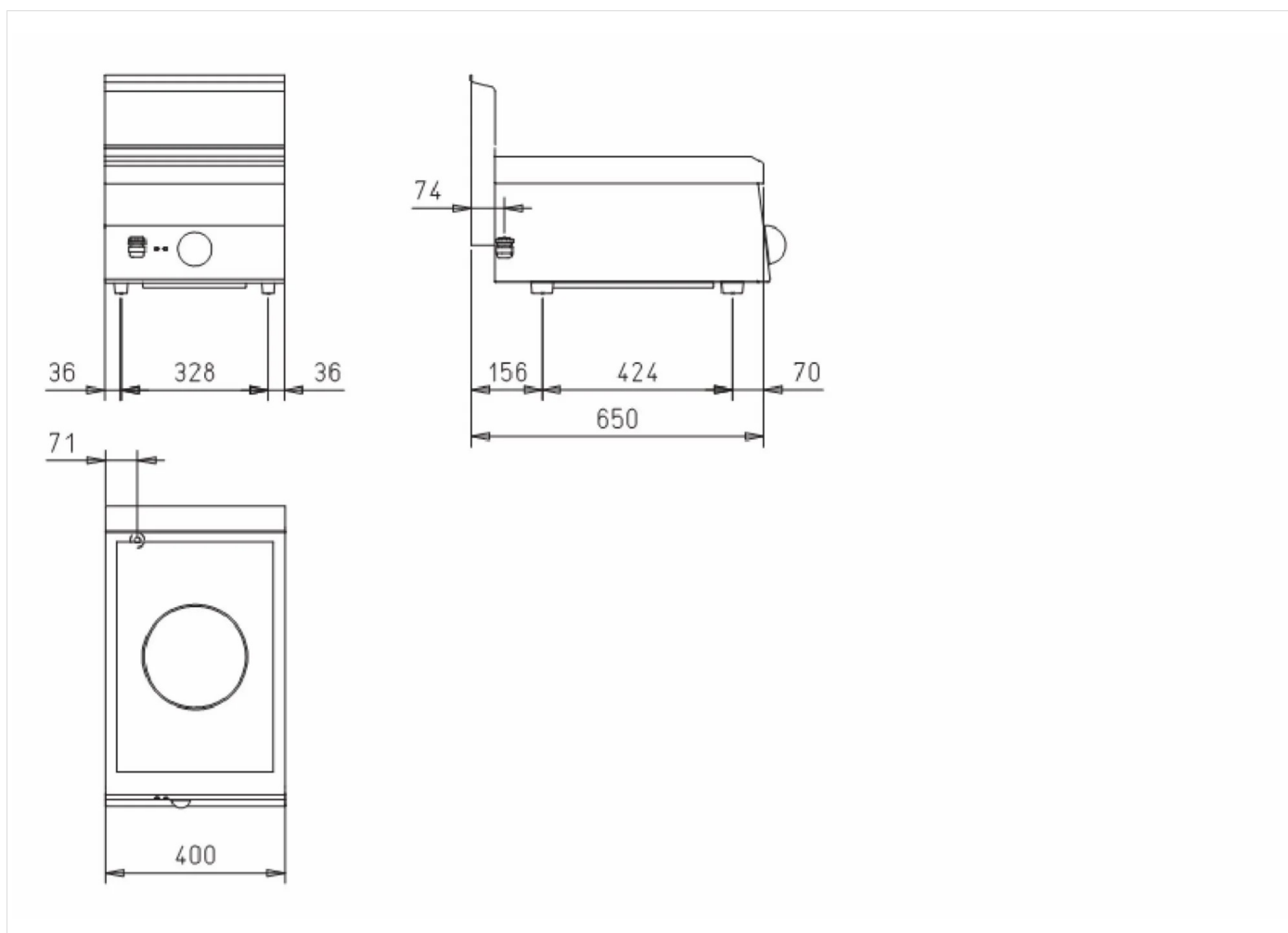
Electric induction top cooker. Sealed 6 mm thick glass ceramic hob, pan detection system which activates heating upon presence of cooking receptacles. AISI 304 s/s appliance. Equipped with 1 cooking zone with 5 kW output, Ø 220 mm. Cooking zone marked with silk-screened circles on the glass ceramic surface. Control knob for selection of 6 power settings. Indicator lights signalling activation of heating and correct appliance operation.



RANGE	CODE	MODEL	FUNCTION
MI - 60	CRO853171	I64E	Induction Ranges

ITEM

Single zone induction top



INSTALLATION SPECIFICATIONS

(E) Electrical Connection: VAC400 3N 50/60Hz

