

RANGE	CODE	MODEL	FUNCTION
MI - 60	CRI620400	F64G8	Fryers

ITEM

Single pan gas fryer 8 litres top



TECHNICAL SPECIFICATIONS

WIDTH (mm):	400		
DEPTH (mm):	650		
HEIGHT (mm):	295		
WEIGHT (Kg):	23		
VOLUME (m ³):	0.22		
GAS POWER (kW):	7		
COOKING ZONES N°:	1		
COOKING ZONE DETAILS:	1x 7kW		
TANK DIM. (mm):	240x420mm		
TANK N°:	1	CAPACITY (L):	8
IP GRADE:	IPX3		
TEMP. RANGE (°C):	90-180		

DESCRIPTION

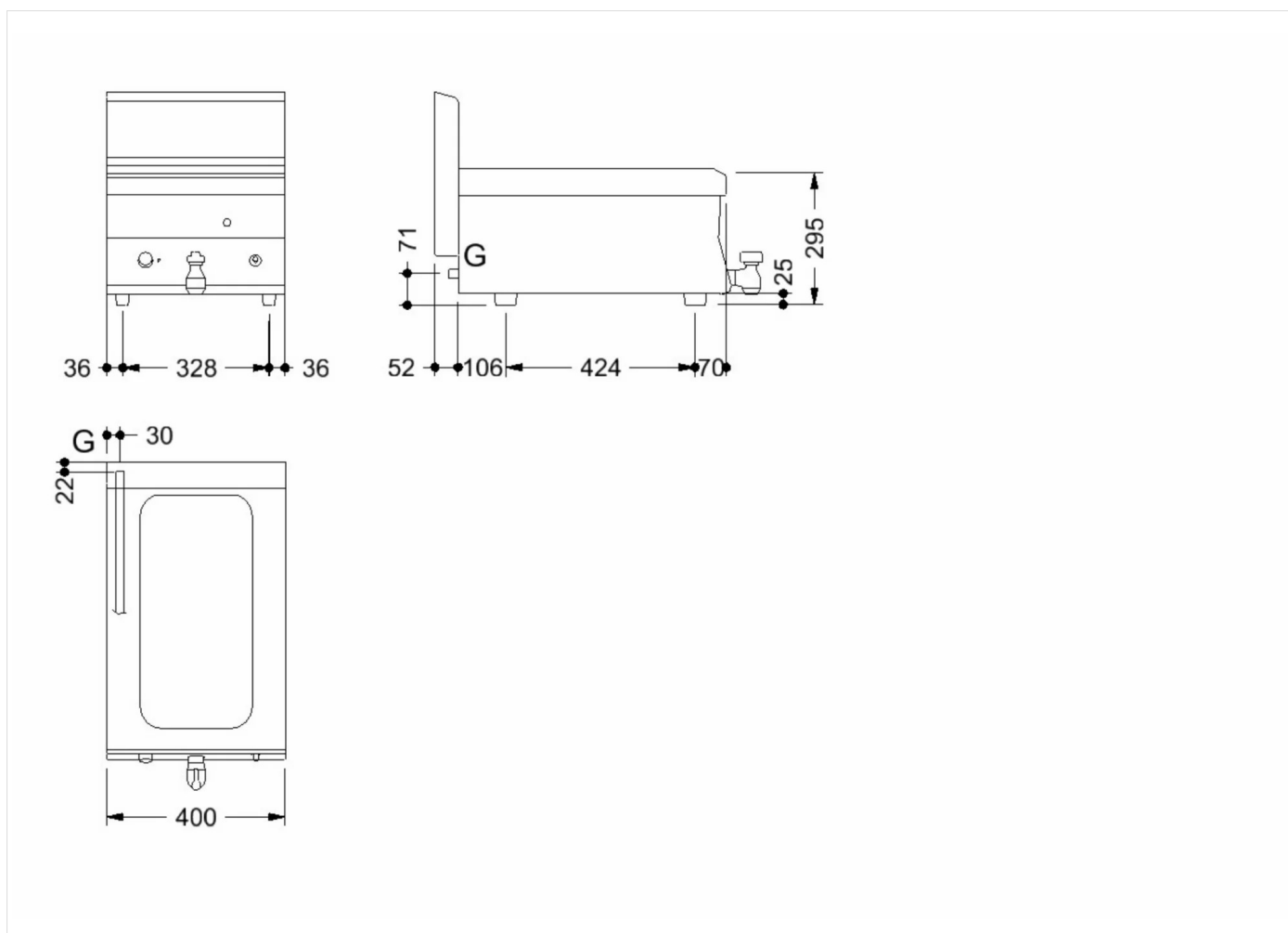
Gas fryer, made of stainless steel. Heating by horizontal burners with stabilised flame with pilot flame and safety thermocouple. Pressed AISI 316 stainless steel tank with a capacity of Lt.8 equipped with a large cold zone and a radiused and inclined oil expansion zone. Gas supply controlled by thermostatic valve and manually reset safety thermostat. Removable filter, basket, lid and drain manifold included. Tank dimensions mm 240x420.



RANGE	CODE	MODEL	FUNCTION
MI - 60	CR1620400	F64G8	Fryers

ITEM

Single pan gas fryer 8 litres top



INSTALLATION SPECIFICATIONS

(G) Gas Inlet: $\text{Ø}1/2''$

