

RANGE	CODE	MODEL	FUNCTION
MI - 60	CRI620440	F64ERP	Fryers

ITEM

Single pan electric enhanced fryer 10 litres top



TECHNICAL SPECIFICATIONS

WIDTH (mm):	400		
DEPTH (mm):	600		
HEIGHT (mm):	295		
WEIGHT (Kg):	21		
VOLUME (m ³):	0.15		
EL. POWER (kW):	9		
VOLTAGE:	VAC400 3N		
COOKING ZONES N°:	1		
COOKING ZONE DETAILS:	1x 9kW		
TANK DIM. (mm):	220x340mm		
TANK N°:	1	CAPACITY (L):	10
IP GRADE:	IPX3		
TEMP. RANGE (°C):	90-180		

DESCRIPTION

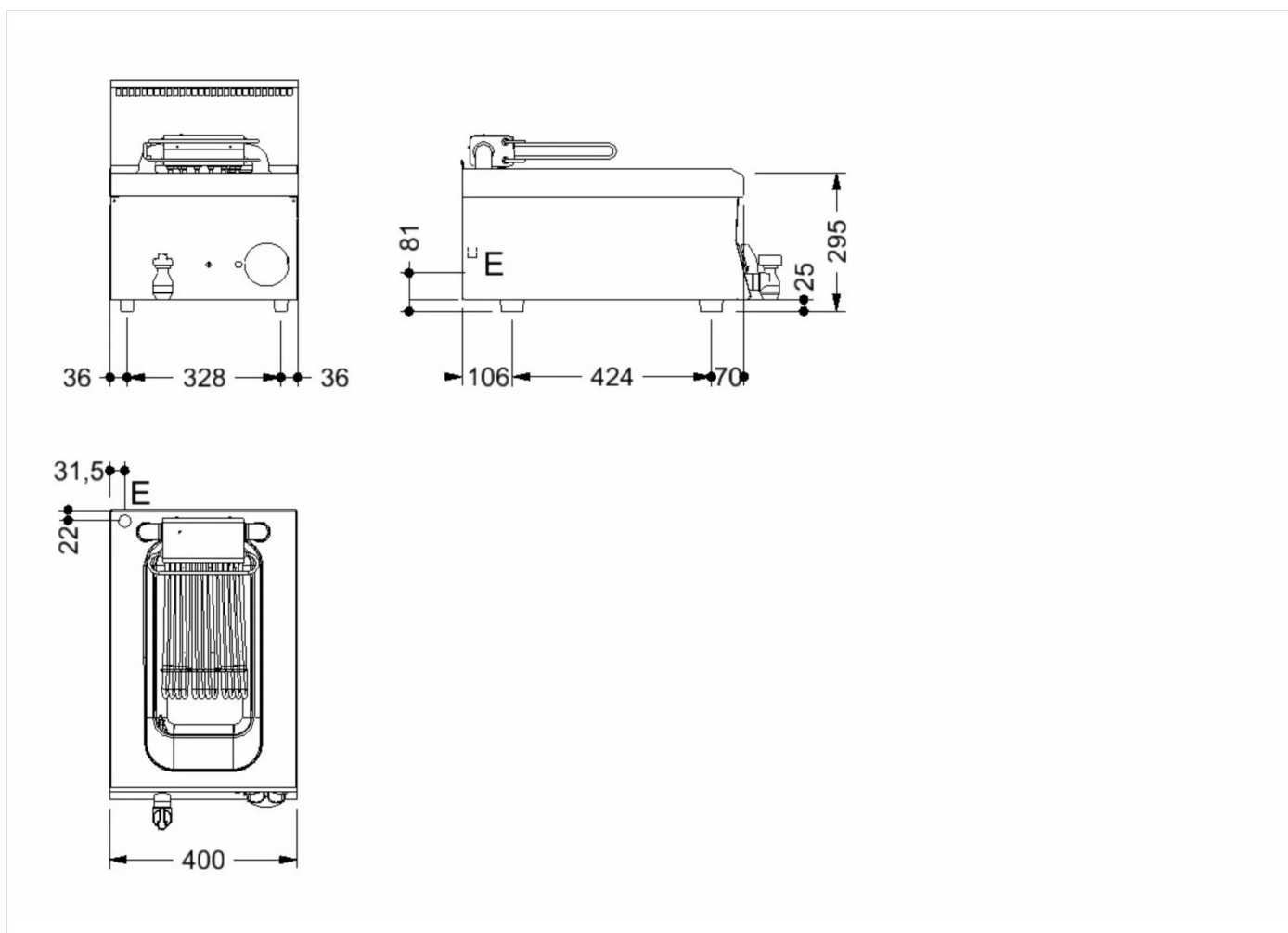
S/s electric fryer. Heated by an in-tank heating element. Moulded 10-litre tank with a cool area and rounded, sloping oil expansion area. Thermostat for temperature control between 100°C and 180°C and manual reset safety thermostat. Indicator lights signalling mains electricity activation and heating element operation. Removable filter, basket, lid and drain manifold included.



RANGE	CODE	MODEL	FUNCTION
MI - 60	CRI62O44O	F64ERP	Fryers

ITEM

Single pan electric enhanced fryer 10 litres top



INSTALLATION SPECIFICATIONS

(E) Electrical Connection: VAC400 3N 50/60Hz

