

RANGE	CODE	MODEL	FUNCTION
MO - 70	CRI307390	NEFT78ELIVG	Griddles

ITEM

Electric griddle top with smooth plate in AISI 430 stainless steel on open stand

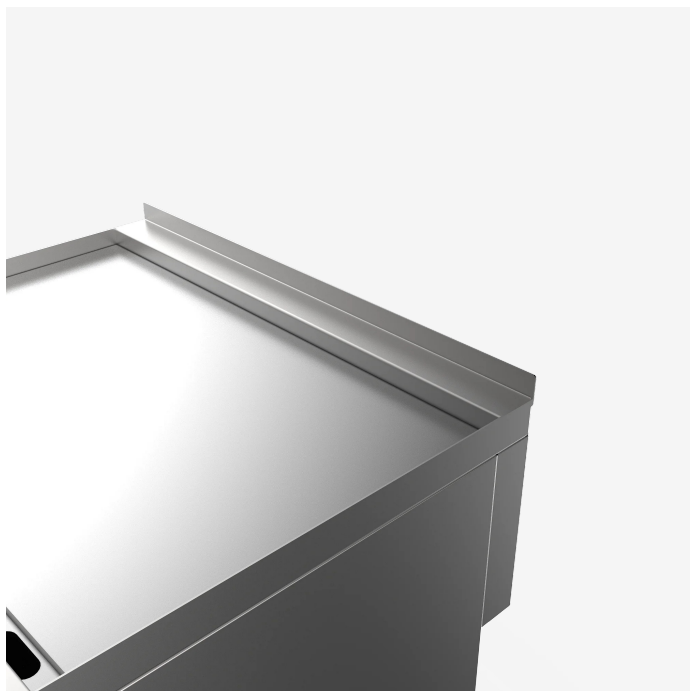


RANGE	CODE	MODEL	FUNCTION
MO - 70	CR1307390	NEFT78ELIVG	Griddles

ITEM

Electric griddle top with smooth plate in AISI 430 stainless steel on open stand

DETAILS



RANGE	CODE	MODEL	FUNCTION
MO - 70	CRI307390	NEFT78ELIVG	Griddles

ITEM

Electric griddle top with smooth plate in AISI 430 stainless steel on open stand



TECHNICAL SPECIFICATIONS

WIDTH (mm):	800
DEPTH (mm):	700
HEIGHT (mm):	870
WEIGHT (Kg):	94
VOLUME (m ³):	0.8
EL. POWER (kW):	7.8
VOLTAGE:	380-415 V 3N
INTERNAL BASE UNIT DIM. (mm):	760x560x340(h)
COOKING ZONES N°:	2
COOKING ZONES DIM. (mm):	796x555mm
PRODUCT SPECIFICATIONS:	Smooth Inox AISI 430 Plate
IP GRADE:	IPX4
TEMP. RANGE (°C):	0-280 °C

DESCRIPTION

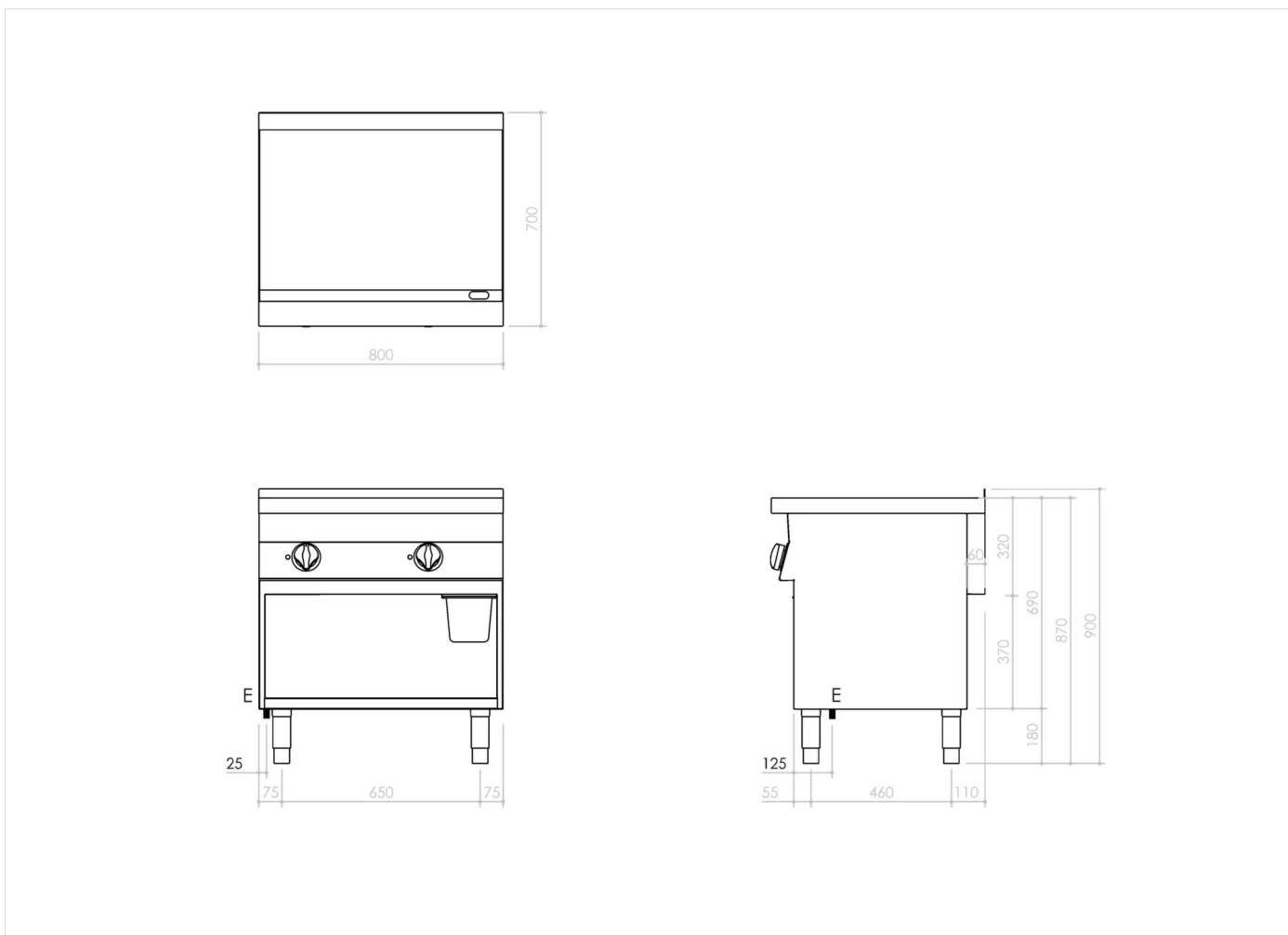
Electric griddle on open base unit with smooth Aisi 430 stainless steel plate. Equipped with splash guard on three sides and a front drain channel to collect cooking liquids/fats towards a removable tray located under the cooking plate into the open base unit. Heating by armored heating elements positioned under the plate. Two independent cooking zones controlled by an adjustable thermostat from 0 °C to 300 °C. Manual reset safety thermostat. Cooking surface 79.6x55.5 cm. plate-cleaning scraper supplied. Open base unit made of stainless steel. Height-adjustable feet in stainless steel. The product complies with the EC regulation 1935/2004 and the DM 21/03/1973 (Materials and Objects intended to come into contact with Food) MOCA.



RANGE	CODE	MODEL	FUNCTION
MO - 70	CRI3O7390	NEFT78ELIVG	Griddles

ITEM

Electric griddle top with smooth plate in AISI 430 stainless steel on open stand



INSTALLATION SPECIFICATIONS

(E) Electrical Connection: **380-415 V 3N 50-60Hz**

