

RANGE	CODE	MODEL	FUNCTION
MI - 60	CRI620460	F66ER2	Fryers

ITEM

Twin pan electric fryer 10+10 litres top



TECHNICAL SPECIFICATIONS

WIDTH (mm):	600		
DEPTH (mm):	600		
HEIGHT (mm):	295		
WEIGHT (Kg):	34		
VOLUME (m ³):	0.22		
EL. POWER (kW):	12		
VOLTAGE:	VAC230 3		
COOKING ZONES N°:	2		
COOKING ZONE DETAILS:	2x 6kW		
TANK DIM. (mm):	220x340mm		
TANK N°:	2	CAPACITY (L):	10
IP GRADE:	IPX3		
TEMP. RANGE (°C):	90-180		

DESCRIPTION

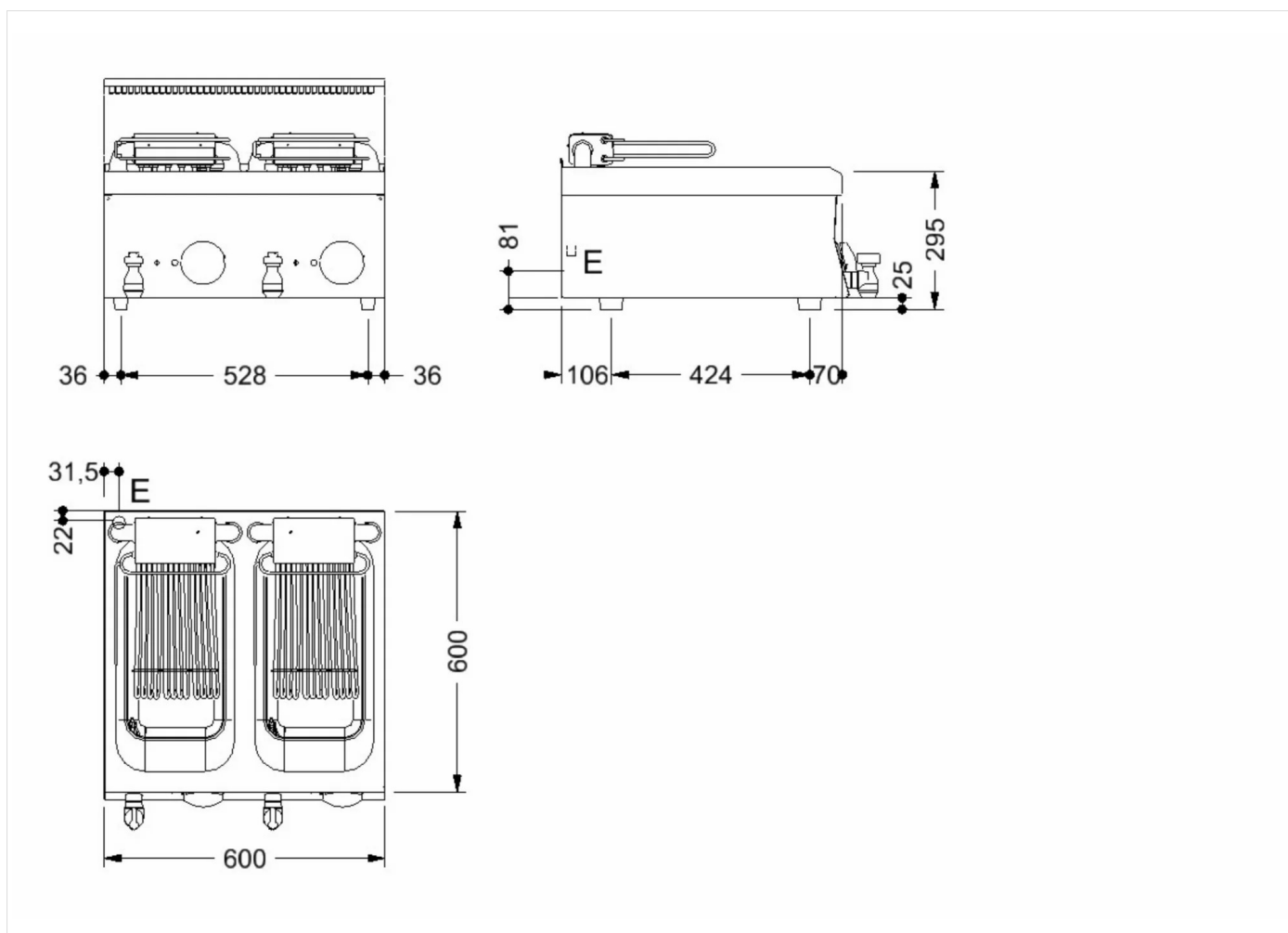
Electric fryer, made of stainless steel. Heating by resistance in the tank. Pressed tanks 2 from Lt.10 equipped with cold zone and oil expansion zone radiated and inclined. Adjustable thermostat from 100°C to 180°C and safety thermostat with manual reset. Indicator lamps to control the insertion of the electric net and the working of the resistances. Removable filter, basket, lid and drain manifold included.



RANGE	CODE	MODEL	FUNCTION
MI - 60	CRI62O46O	F66ER2	Fryers

ITEM

Twin pan electric fryer 10+10 litres top



INSTALLATION SPECIFICATIONS

(E) Electrical Connection: VAC230 3 50/60Hz

