

RANGE	CODE	MODEL	FUNCTION
MI - 60	CRO956660	CW66E	Grills

ITEM

Electric chargrill 600 width top



RANGE	CODE	MODEL	FUNCTION
MI - 60	CRO956660	CW66E	Grills

ITEM

Electric chargrill 600 width top



TECHNICAL SPECIFICATIONS

WIDTH (mm):	600
DEPTH (mm):	600
HEIGHT (mm):	295
WEIGHT (Kg):	36
VOLUME (m ³):	0.22
EL. POWER (kW):	5.44
VOLTAGE:	VAC400 3N
COOKING ZONES N°:	1
COOKING ZONES DIM. (mm):	360x430mm
COOKING ZONE DETAILS:	1 x 5,44kW
IP GRADE:	IPX3

DESCRIPTION

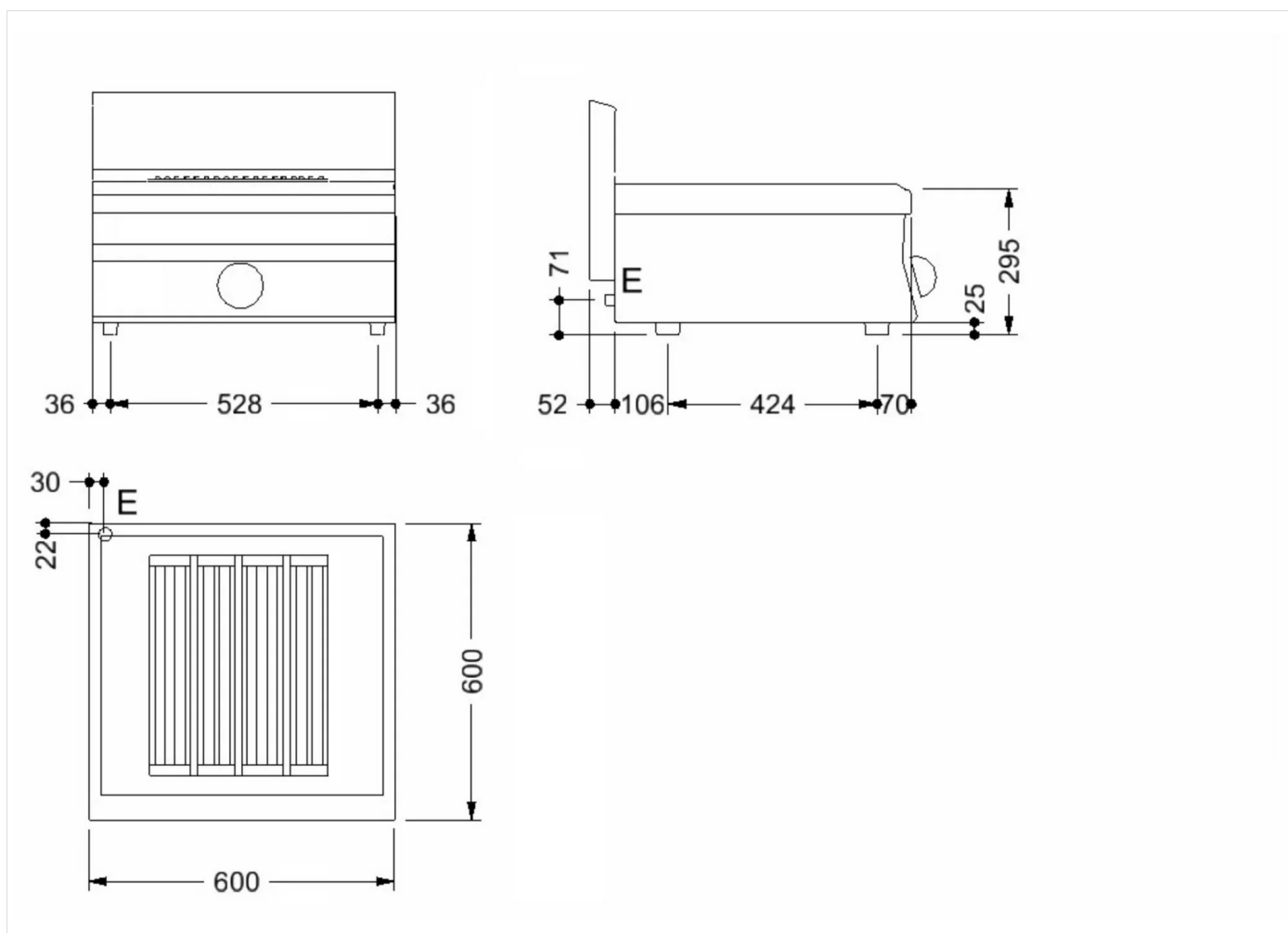
S/s electric sausage grill. Direct cooking on contact with the armoured heating elements. Water bowl ensures the meat remains moist. Equipped with an power regulator for setting levels I to 6, maximum temperature 400°C. Indicator light signalling correct appliance operation. Cooking surface 360x430 mm.



RANGE	CODE	MODEL	FUNCTION
MI - 60	CRO95666O	CW66E	Grills

ITEM

Electric chargrill 600 width top



INSTALLATION SPECIFICATIONS

(E) Electrical Connection: VAC400 3N 50/60Hz

