

RANGE	CODE	MODEL	FUNCTION
MI - 60	CRO853450	PC66E	Pasta Cooker

ITEM

Single well electric pasta cooker, 28 litre water capacity, top



RANGE	CODE	MODEL	FUNCTION
MI - 60	CRO853450	PC66E	Pasta Cooker

ITEM

Single well electric pasta cooker, 28 litre water capacity, top



TECHNICAL SPECIFICATIONS

WIDTH (mm):	600		
DEPTH (mm):	600		
HEIGHT (mm):	295		
WEIGHT (Kg):	58		
VOLUME (m ³):	0.34		
EL. POWER (kW):	9		
VOLTAGE:	VAC400 3N		
COOKING ZONES N°:	1		
COOKING ZONE DETAILS:	1 x 9		
TANK DIM. (mm):	490x340x180h mm		
TANK N°:	1	CAPACITY (L):	28
IP GRADE:	IPX3		

DESCRIPTION

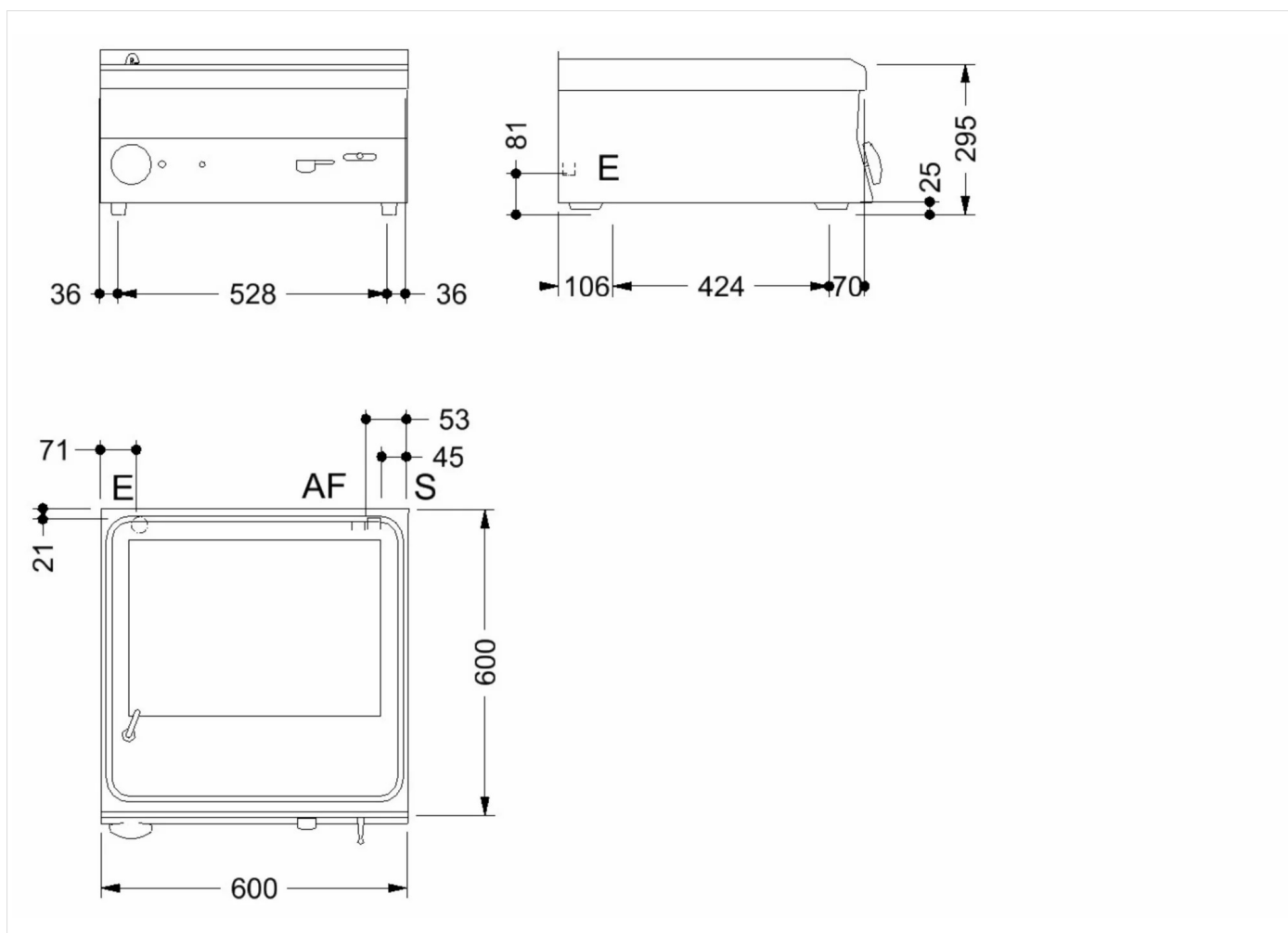
S/s electric pasta cooker. Tank heated by armoured heating elements inside the tank. Temperature controlled by a simmerstat and a manual reset safety thermostat. Tank capacity 28 liters. Heating elements can be completely removed for easy cleaning. Fitted with filling/drain taps on the control panel. Complete with 3 baskets, false bottom and lids. Tank dimensions 490x340x180h mm.



RANGE	CODE	MODEL	FUNCTION
MI - 60	CRO853450	PC66E	Pasta Cooker

ITEM

Single well electric pasta cooker, 28 litre water capacity, top



INSTALLATION SPECIFICATIONS

(E) Electrical Connection:	VAC400 3N 50/60Hz
(AF) Cold Water Inlet:	Ø1/2-H=610mm

