

RANGE	CODE	MODEL	FUNCTION
MI - 60	CRO852930	LA66	<b>Neutral Elements</b>

ITEM  
**600 mm width worktop unit with sink**



RANGE	CODE	MODEL	FUNCTION
<b>MI - 60</b>	<b>CRO852930</b>	<b>LA66</b>	<b>Neutral Elements</b>

ITEM

**600 mm width worktop unit with sink**



**TECHNICAL SPECIFICATIONS**

WIDTH (mm):	<b>600</b>
DEPTH (mm):	<b>600</b>
HEIGHT (mm):	<b>295</b>
WEIGHT (Kg):	<b>16</b>
VOLUME (m <sup>3</sup> ):	<b>0.16</b>
TANK DIM. (mm):	<b>500x400x150h mm</b>
TANK N°:	<b>1</b>

**DESCRIPTION**

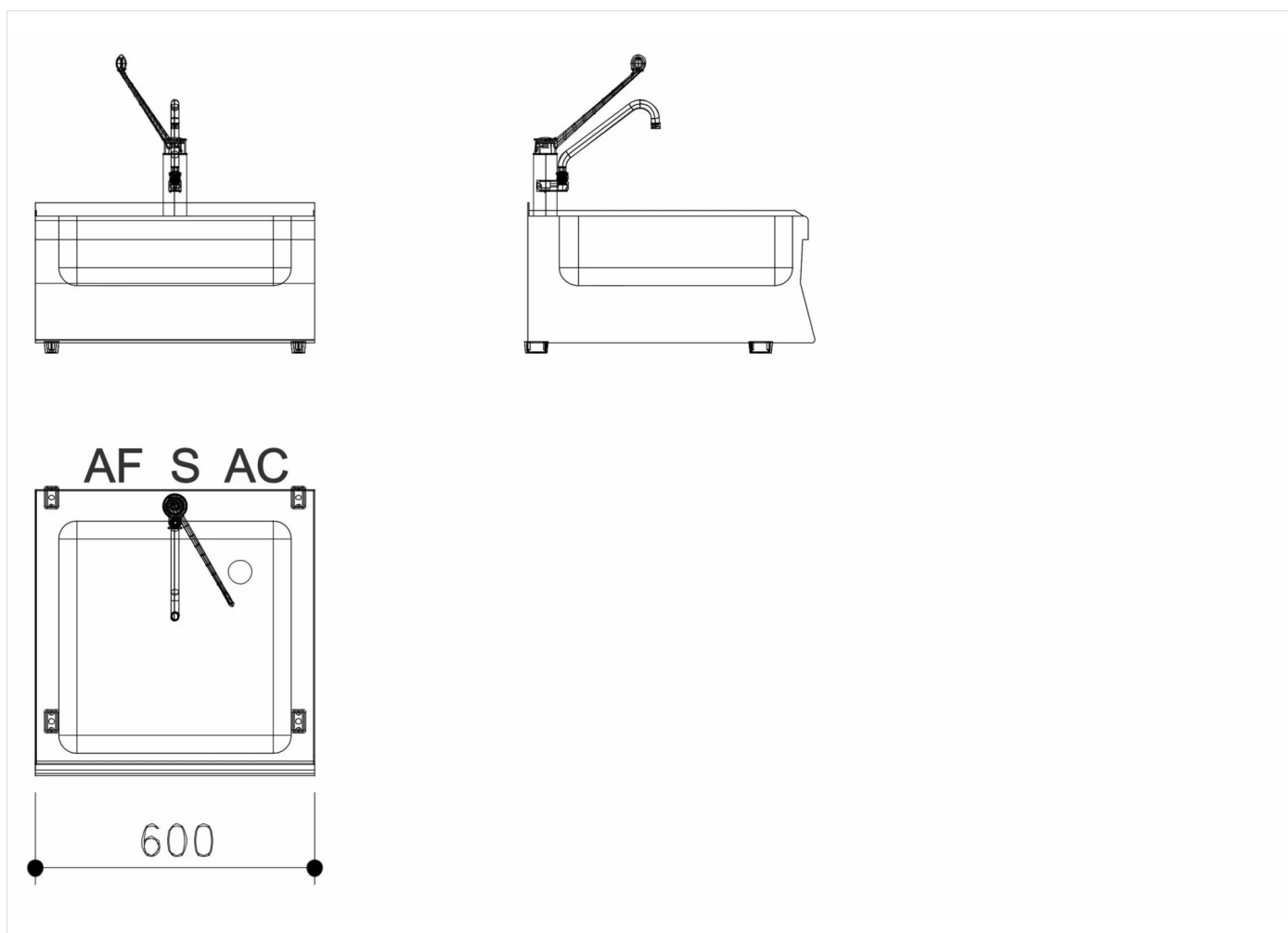
S/s sink unit with large bowl featuring wide radius curves for easy cleaning. Complete with tap and overflow outlet. Bowl dimensions: 500x400xh150 mm.



RANGE	CODE	MODEL	FUNCTION
MI - 60	CRO852930	LA66	<b>Neutral Elements</b>

ITEM

**600 mm width worktop unit with sink**



### INSTALLATION SPECIFICATIONS

(AF) Cold Water Inlet:	Ø1/2-H=610mm
(AC) Hot Water Inlet:	Ø1/2-H=610mm

