

RANGE	CODE	MODEL	FUNCTION
MI - 60	MAIO40IO55300	SME70M	Salamander

ITEM

Electric salamander 700 mm width



RANGE	CODE	MODEL	FUNCTION
MI - 60	MAIO40IO55300	SME70M	Salamander

ITEM

Electric salamander 700 mm width



TECHNICAL SPECIFICATIONS

WIDTH (mm):	700
DEPTH (mm):	350
HEIGHT (mm):	390
WEIGHT (Kg):	20
VOLUME (m ³):	0.15
EL. POWER (kW):	3.5
VOLTAGE:	VAC230
IP GRADE:	IPX3

DESCRIPTION

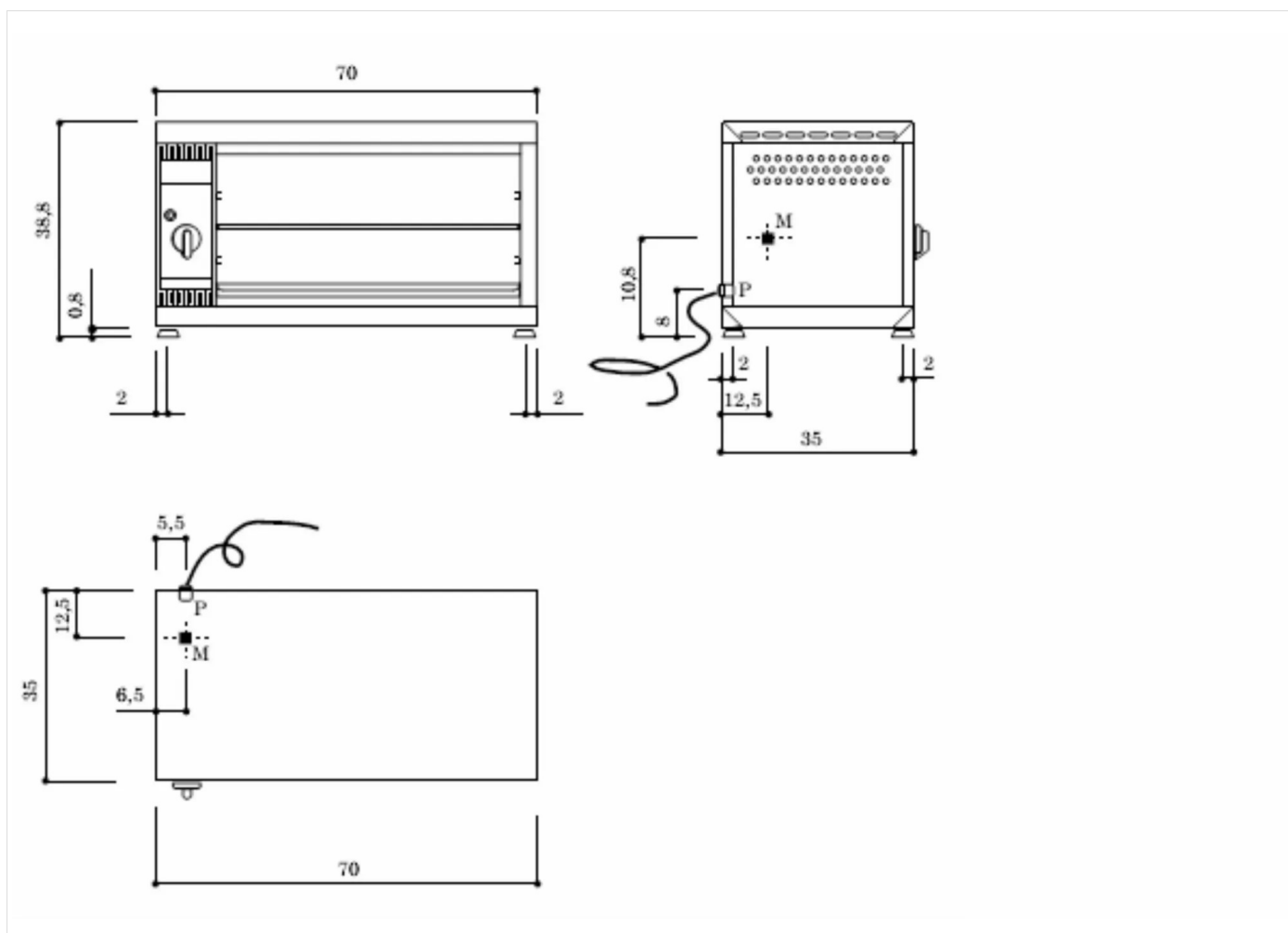
Salamander made of stainless steel. Grille made of chromed steel rod with removable handles that can be positioned at three different heights. Heating by means of armoured resistances controlled by simmostat. Removable waste collection drawer. Grid dimensions mm 450x280.



RANGE	CODE	MODEL	FUNCTION
MI - 60	MAIO40IO55300	SME70M	Salamander

ITEM

Electric salamander 700 mm width



INSTALLATION SPECIFICATIONS

(E) Electrical Connection: VAC230 50/60Hz

