

RANGE	CODE	MODEL	FUNCTION
MO - 70	CR1307240	NEF78EIOVG	Fryers

ITEM

Twin pan electric fryer 10+10 litres on stand with door

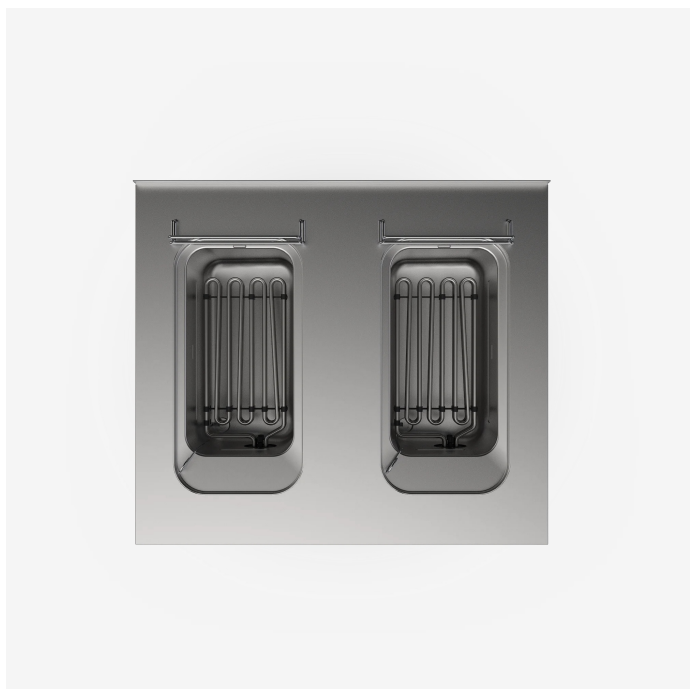


RANGE	CODE	MODEL	FUNCTION
MO - 70	CRI307240	NEF78EIOVG	Fryers

ITEM

Twin pan electric fryer 10+10 litres on stand with door

DETAILS



RANGE	CODE	MODEL	FUNCTION
MO - 70	CRI307240	NEF78EIOVG	Fryers

ITEM

Twin pan electric fryer 10+10 litres on stand with door



TECHNICAL SPECIFICATIONS

WIDTH (mm):	800
DEPTH (mm):	700
HEIGHT (mm):	870
WEIGHT (Kg):	61
VOLUME (m ³):	0.8
EL. POWER (kW):	18
VOLTAGE:	380-415 V 3N
INTERNAL BASE UNIT DIM. (mm):	760x560x340(h)
COOKING ZONES N°:	2
TANK DIM. (mm):	2x 220x420x250(h)
TANK N°:	2
CAPACITY (L):	10+10
IP GRADE:	IPX4
TEMP. RANGE (°C):	60-190 °C

DESCRIPTION

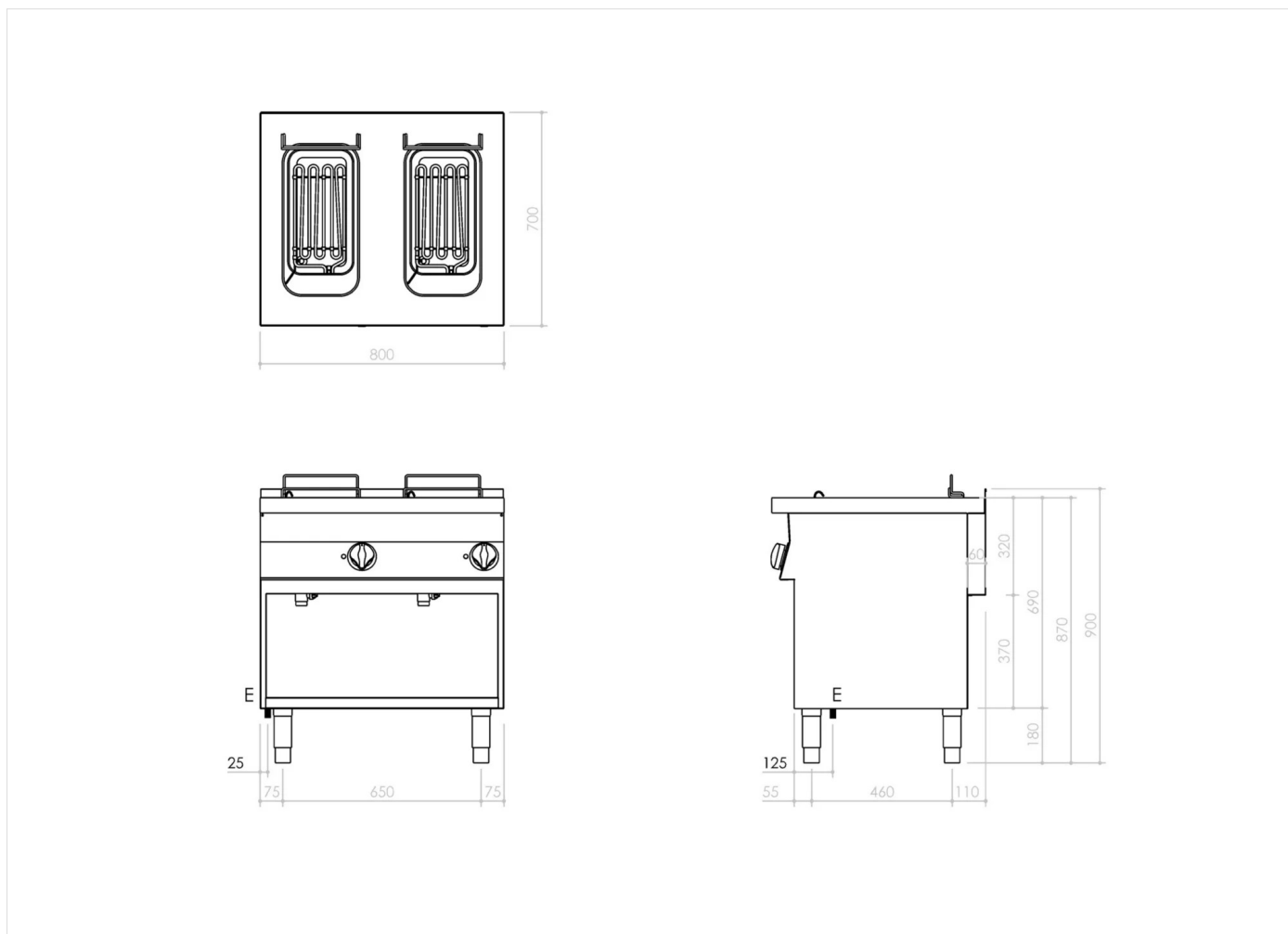
Electric fryer with two tanks, made of stainless steel. Heating occurs by means of armoured heating elements that can be rotated in the basin to be easily cleaned. 2 x 10litre tanks equipped with a large cold area and an inclined oil expansion area. Thermostat that can be set from 60°C to 190°C, manual-reset safety thermostat. Indicator lamps verify that the appliance functions properly. Removable filter, basket, cover and collector for the drain tap supplied. Height adjustable feet made of stainless steel.



RANGE	CODE	MODEL	FUNCTION
MO - 70	CRI307240	NEF78EIOVG	Fryers

ITEM

Twin pan electric fryer 10+10 litres on stand with door



INSTALLATION SPECIFICATIONS

(E) Electrical Connection: **380-415 V 3N 50-60Hz**

