

RANGE	CODE	MODEL	FUNCTION
Drop-in 60	MAIO4O24O2I4O	PCE4OD	Electric Cookers

ITEM

Drop-in 2 hotplate electric boiling top



RANGE	CODE	MODEL	FUNCTION
Drop-in 60	MAIO402402I40	PCE40D	Electric Cookers

ITEM

Drop-in 2 hotplate electric boiling top



TECHNICAL SPECIFICATIONS

WIDTH (mm):	400
DEPTH (mm):	600
HEIGHT (mm):	75
WEIGHT (Kg):	13
VOLUME (m ³):	0.06
EL. POWER (kW):	4.1
VOLTAGE:	VAC230 3/VAC400 3N
COOKING ZONES N°:	2
COOKING ZONES DIM. (mm):	1x Ø 220mm, 1x Ø 180mm

DESCRIPTION

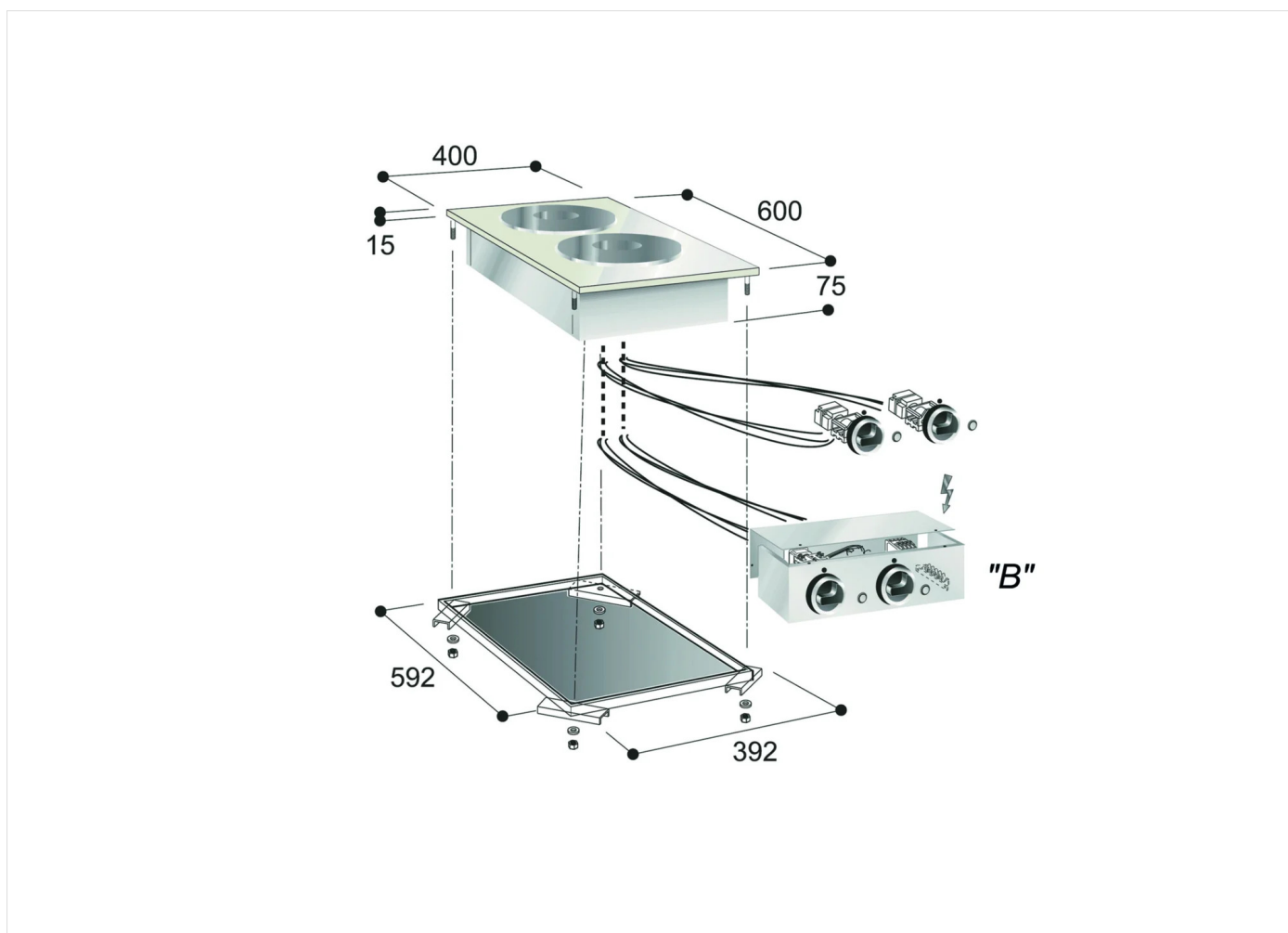
Electric drop-in boiling top. N° 2 plates Ø 220 mm, 1 with 2,6 kW, 1 with 1,5 kW. 6 positions commutator. Warning light to control the appliance's correct working. Fixings and 1m. long cable included.



RANGE	CODE	MODEL	FUNCTION
Drop-in 60	MAIO402402I40	PCE40D	Electric Cookers

ITEM

Drop-in 2 hotplate electric boiling top



INSTALLATION SPECIFICATIONS

(E) Electrical Connection: VAC230 3/VAC400 3N 50/60Hz

