

RANGE	CODE	MODEL	FUNCTION
Drop-in 60	MAIO402405140	PCE60DB	Electric Cookers

ITEM

Drop-in 4 hotplate electric boiling top with control box



RANGE	CODE	MODEL	FUNCTION
Drop-in 60	MAIO402405140	PCE6ODB	Electric Cookers

ITEM

Drop-in 4 hotplate electric boiling top with control box



TECHNICAL SPECIFICATIONS

WIDTH (mm):	600
DEPTH (mm):	600
HEIGHT (mm):	75
WEIGHT (Kg):	27
VOLUME (m ³):	0.1
EL. POWER (kW):	8.2
VOLTAGE:	VAC230 3/VAC400 3N
COOKING ZONES N°:	4
COOKING ZONES DIM. (mm):	2x Ø 220mm, 2x Ø 180mm

DESCRIPTION

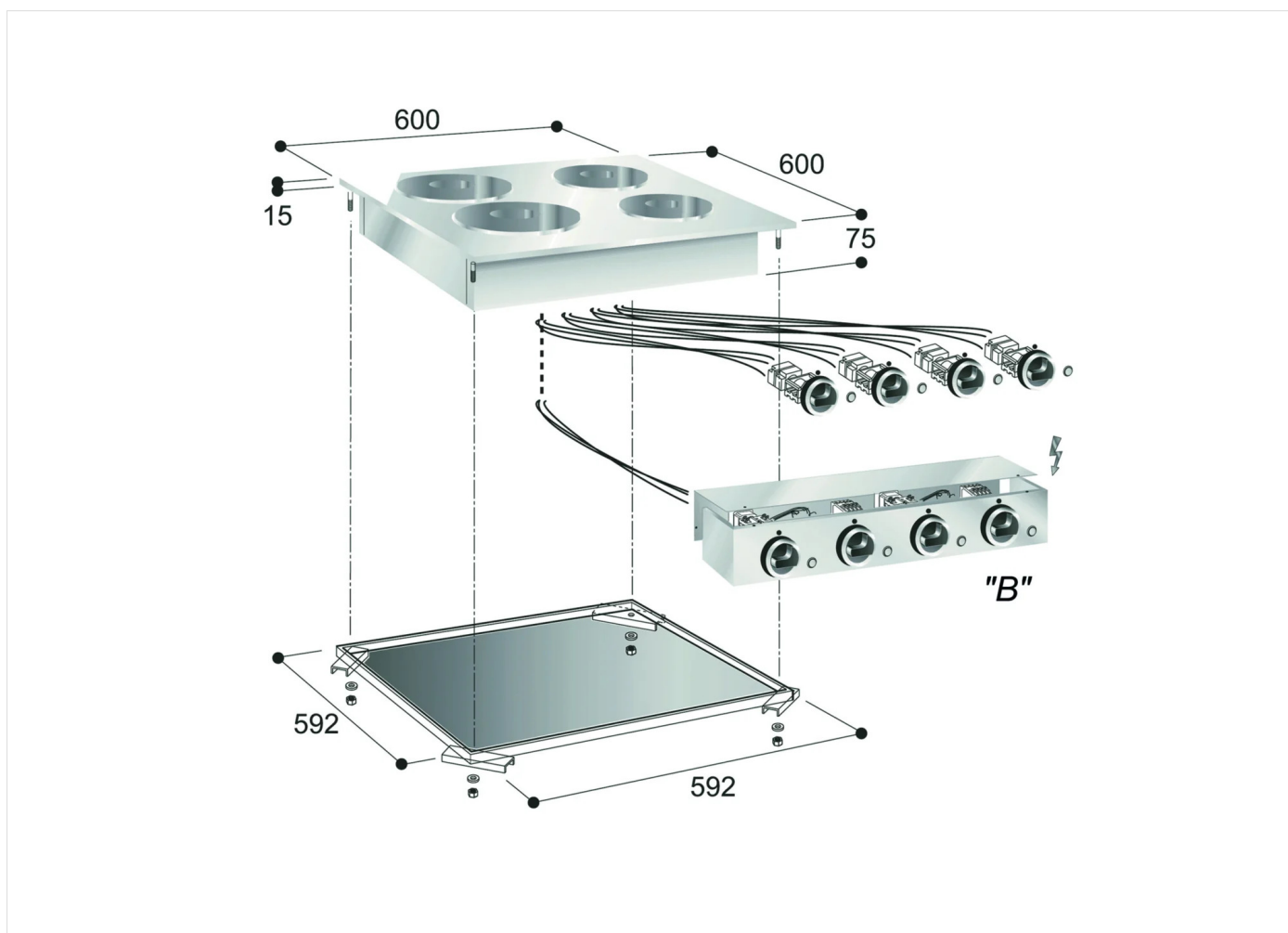
Electric drop-in boiling top. N° 2 plates Ø 220 mm - 2 kW, and n° 2 plates Ø 180 mm - 1,5 kW. 6 positions commutator. Warning light to control the appliance's correct working. Fixings and 1m. long cable included.



RANGE	CODE	MODEL	FUNCTION
Drop-in 60	MAIO402405140	PCE60DB	Electric Cookers

ITEM

Drop-in 4 hotplate electric boiling top with control box



INSTALLATION SPECIFICATIONS

(E) Electrical Connection: VAC230 3/VAC400 3N 50/60Hz

