

RANGE	CODE	MODEL	FUNCTION
MO - 70	CRI307420	NEPC78G	Pasta Cookers

ITEM

Double well gas pasta cooker, 28+28 litre water capacity

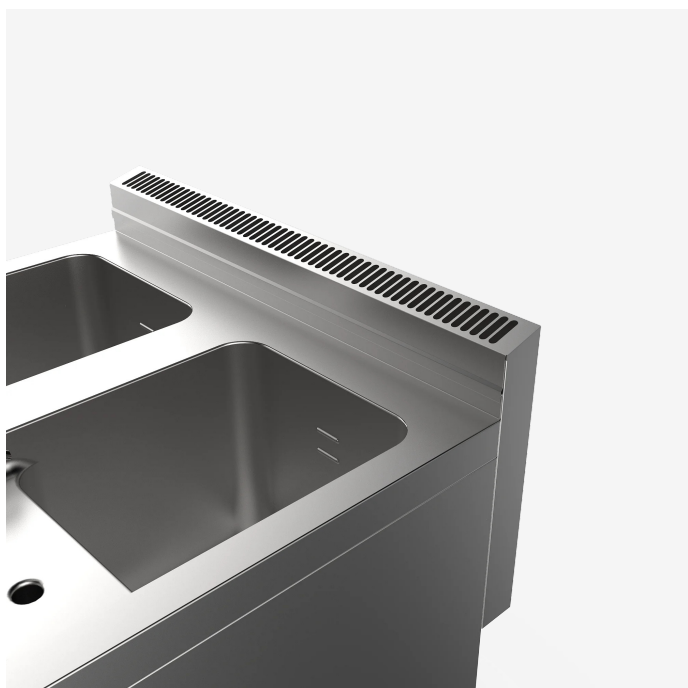


RANGE	CODE	MODEL	FUNCTION
MO - 70	CRI307420	NEPC78G	Pasta Cookers

ITEM

Double well gas pasta cooker, 28+28 litre water capacity

DETAILS



RANGE	CODE	MODEL	FUNCTION
MO - 70	CRI307420	NEPC78G	Pasta Cookers

ITEM

Double well gas pasta cooker, 28+28 litre water capacity



TECHNICAL SPECIFICATIONS

WIDTH (mm):	800		
DEPTH (mm):	700		
HEIGHT (mm):	870		
WEIGHT (Kg):	70		
VOLUME (m ³):	0.8		
GAS POWER (kW):	21		
COOKING ZONES N°:	2		
TANK DIM. (mm):	2x 340x305x325(h)		
TANK N°:	2	CAPACITY (L):	28+28
TEMP. RANGE (°C):	0-100 °C		

DESCRIPTION

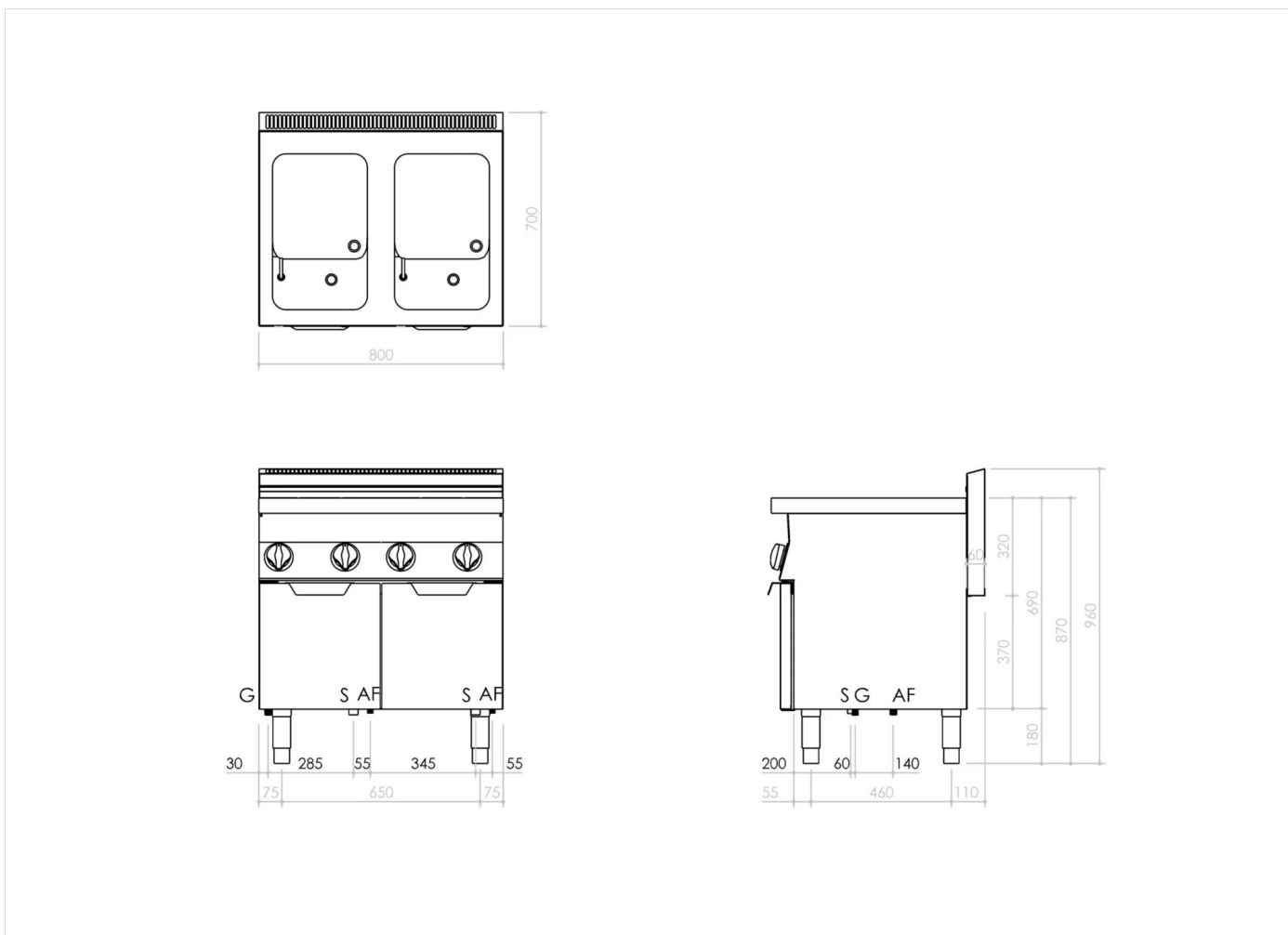
Gas pasta-cooker with two tanks, made of stainless steel. Deep drawn tanks made of AISI 316 stainless steel with rounded edges for easy cleaning. Heating by means of steel burners with a stabilised flame, complete with a pilot burner and safety thermocouple. Gas supply controlled by a valve tap. Automatic ignition by means of a piezoelectric device. 28+28-litre tank, dimensions 30.5x34 cm. Water supply and drain by means of taps at the front. Height adjustable feet made of stainless steel.



RANGE	CODE	MODEL	FUNCTION
MO - 70	CRI307420	NEPC78G	Pasta Cookers

ITEM

Double well gas pasta cooker, 28+28 litre water capacity



INSTALLATION SPECIFICATIONS

(G) Gas Inlet:	Ø1/2"
(S) Output Drain:	Ø3/4"

