

| RANGE | CODE | MODEL | FUNCTION |
|------------|---------------|---------|---------------------|
| Drop-in 60 | MAIO402406140 | PCVE4OD | Glassceramic Ranges |

ITEM

Drop-in 2 ceramic hotplate electric boiling top



| RANGE | CODE | MODEL | FUNCTION |
|------------|---------------|---------|---------------------|
| Drop-in 60 | MAIO402406140 | PCVE40D | Glassceramic Ranges |

ITEM

Drop-in 2 ceramic hotplate electric boiling top



TECHNICAL SPECIFICATIONS

| | |
|---------------------------|----------------------------|
| WIDTH (mm): | 400 |
| DEPTH (mm): | 600 |
| HEIGHT (mm): | 70 |
| WEIGHT (Kg): | 11 |
| VOLUME (m ³): | 0.06 |
| EL. POWER (kW): | 4.2 |
| VOLTAGE: | VAC 230 1 / 230 3 / 400 3N |
| COOKING ZONES N°: | 2 |
| COOKING ZONES DIM. (mm): | 1x Ø 240mm, 1x Ø 180mm |

DESCRIPTION

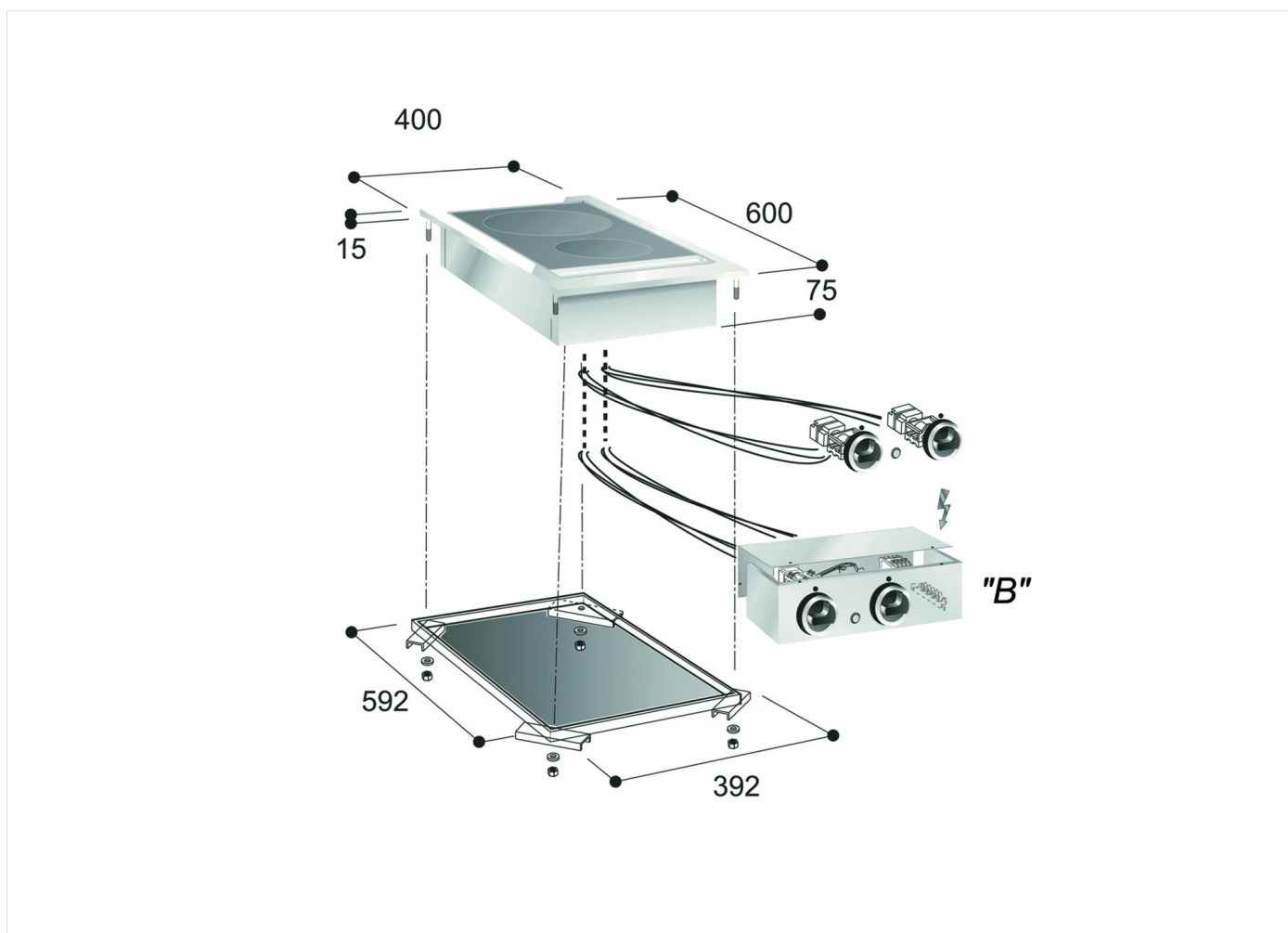
Drop-in glassceramic cooking top . N° 1 zone Ø 240 mm - 2,4 kW, n° 1 zone Ø 180 mm - 1,8 kW. Warning light to indicate afterheat. Glassceramic surface 510x346 mm. Fixings and 1 m. long cable included.



| RANGE | CODE | MODEL | FUNCTION |
|------------|---------------|---------|---------------------|
| Drop-in 60 | MAIO402406140 | PCVE40D | Glassceramic Ranges |

ITEM

Drop-in 2 ceramic hotplate electric boiling top



INSTALLATION SPECIFICATIONS

(E) Electrical Connection:

VAC230 I / 230 3 / 400 3N 50/60Hz

