

RANGE	CODE	MODEL	FUNCTION
Drop-in 60	MAIO402407140	PCVE40DB	Glassceramic Ranges

ITEM

Drop-in 2 ceramic hotplate electric boiling top with control box



RANGE	CODE	MODEL	FUNCTION
Drop-in 60	MAIO402407140	PCVE4ODB	Glassceramic Ranges

ITEM

Drop-in 2 ceramic hotplate electric boiling top with control box



TECHNICAL SPECIFICATIONS

WIDTH (mm):	400
DEPTH (mm):	600
HEIGHT (mm):	70
WEIGHT (Kg):	12
VOLUME (m ³):	0.06
EL. POWER (kW):	4.2
VOLTAGE:	VAC 230 I / 230 3 / 400 3N
COOKING ZONES N°:	2
COOKING ZONES DIM. (mm):	1x Ø 240mm, 1x Ø 180mm

DESCRIPTION

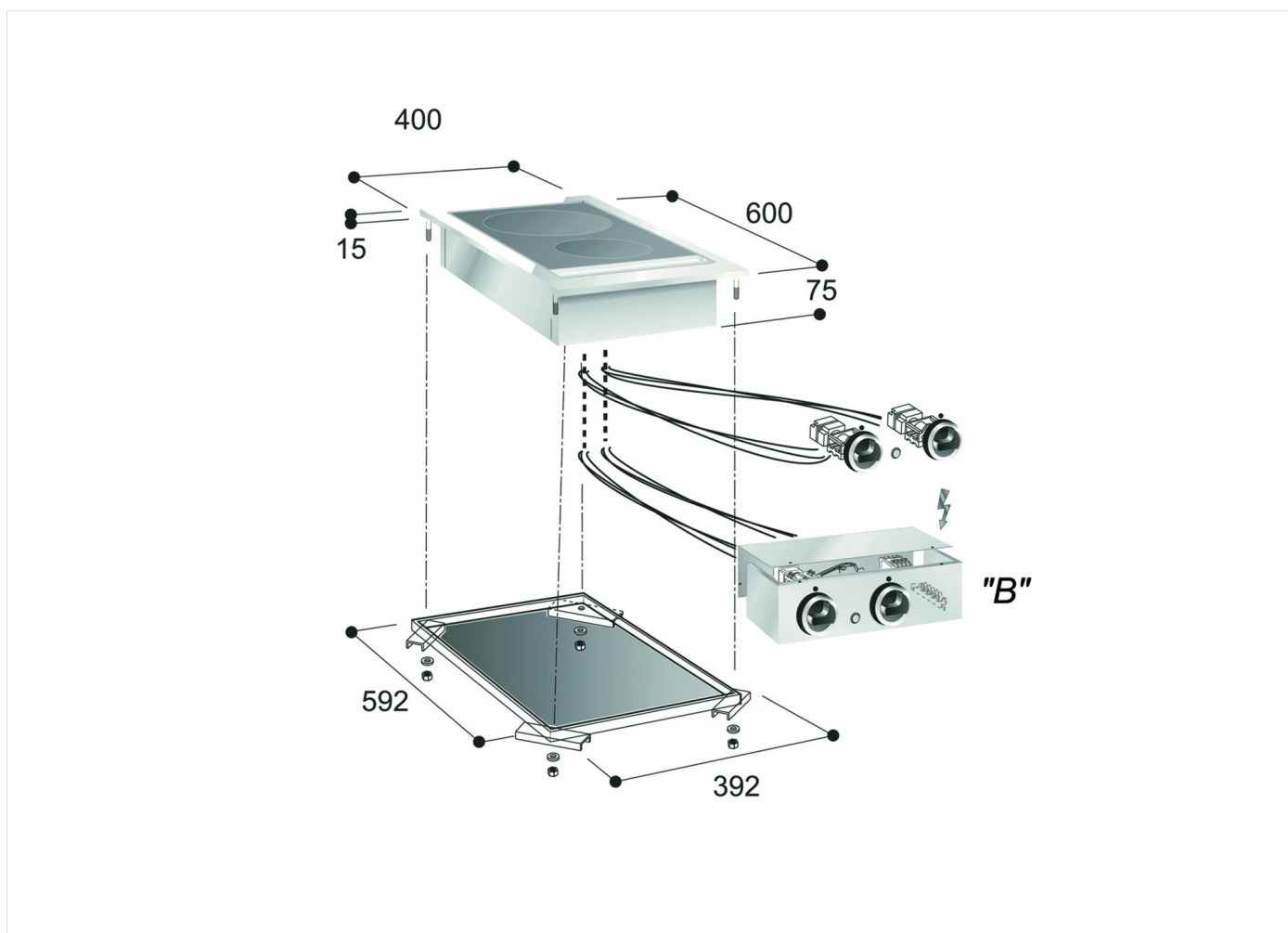
Drop-in glassceramic cooking top . N° 1 zone Ø 240 mm - 2,4 kW, n° 1 zone Ø 180 mm - 1,8 kW. Warning light to indicate afterheat. Glassceramic surface 510x346 mm. Fixings and 1 m. long cable included.



RANGE	CODE	MODEL	FUNCTION
Drop-in 60	MAIO402407140	PCVE40DB	Glassceramic Ranges

ITEM

Drop-in 2 ceramic hotplate electric boiling top with control box



INSTALLATION SPECIFICATIONS

(E) Electrical Connection:

VAC230 I / 230 3 / 400 3N 50/60Hz

