

RANGE	CODE	MODEL	FUNCTION
Drop-in 60	MAIO402I66200	FQE40D	Fryers

ITEM

Drop-in single pan electric fryer 10 litres



RANGE	CODE	MODEL	FUNCTION
Drop-in 60	MAIO402I66200	FQE40D	Fryers

ITEM

Drop-in single pan electric fryer 10 litres



TECHNICAL SPECIFICATIONS

WIDTH (mm):	400		
DEPTH (mm):	600		
HEIGHT (mm):	380		
WEIGHT (Kg):	15		
VOLUME (m ³):	0.16		
EL. POWER (kW):	5		
VOLTAGE:	VAC400 3N		
COOKING ZONES N°:	1		
TANK DIM. (mm):	220x340x220(h) mm		
TANK N°:	1	CAPACITY (L):	10
TEMP. RANGE (°C):	100-180		

DESCRIPTION

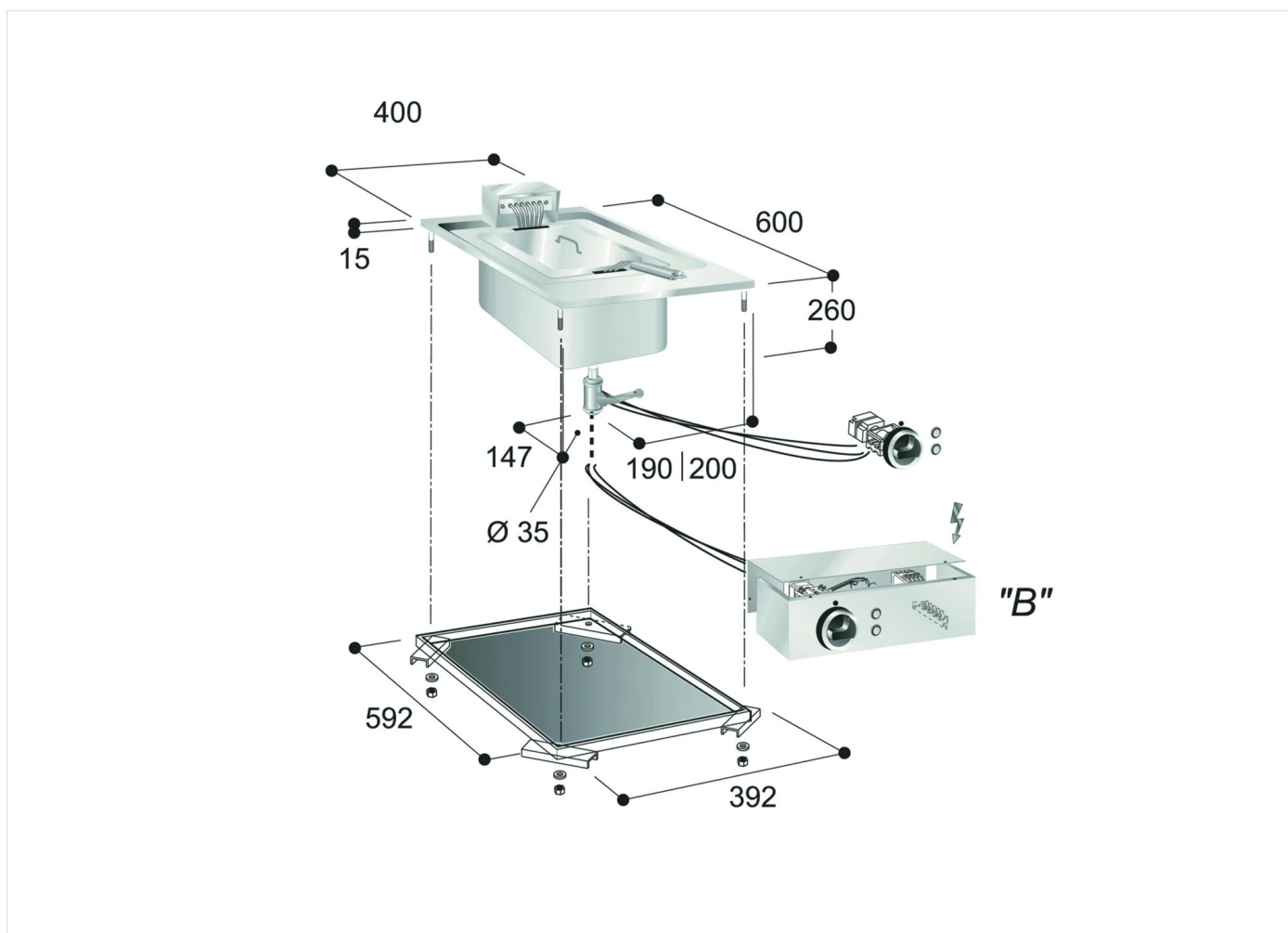
Fryer drop-in 1 basket, max capacity lt. 10, thermostat to regulate temperature from 100°C to 180°C.



RANGE	CODE	MODEL	FUNCTION
Drop-in 60	MAIO402I66200	FQE40D	Fryers

ITEM

Drop-in single pan electric fryer 10 litres



INSTALLATION SPECIFICATIONS

(E) Electrical Connection: VAC400 3N 50/60Hz

