

RANGE	CODE	MODEL	FUNCTION
Drop-in 60	MAIO402169200	FQE6ODSP	Fryers

ITEM

Drop-in twin pan electric fryer 10+10 litres



RANGE	CODE	MODEL	FUNCTION
Drop-in 60	MA10402169200	FQE60DSP	Fryers

ITEM

Drop-in twin pan electric fryer 10+10 litres



**TECHNICAL SPECIFICATIONS**

WIDTH (mm):	600		
DEPTH (mm):	600		
HEIGHT (mm):	380		
WEIGHT (Kg):	25		
VOLUME (m <sup>3</sup> ):	0.22		
EL. POWER (kW):	15		
VOLTAGE:	VAC400 3N		
COOKING ZONES N°:	2		
TANK DIM. (mm):	220x340x220(h) mm		
TANK N°:	2	CAPACITY (L):	2x 10
TEMP. RANGE (°C):	100-180		

**DESCRIPTION**

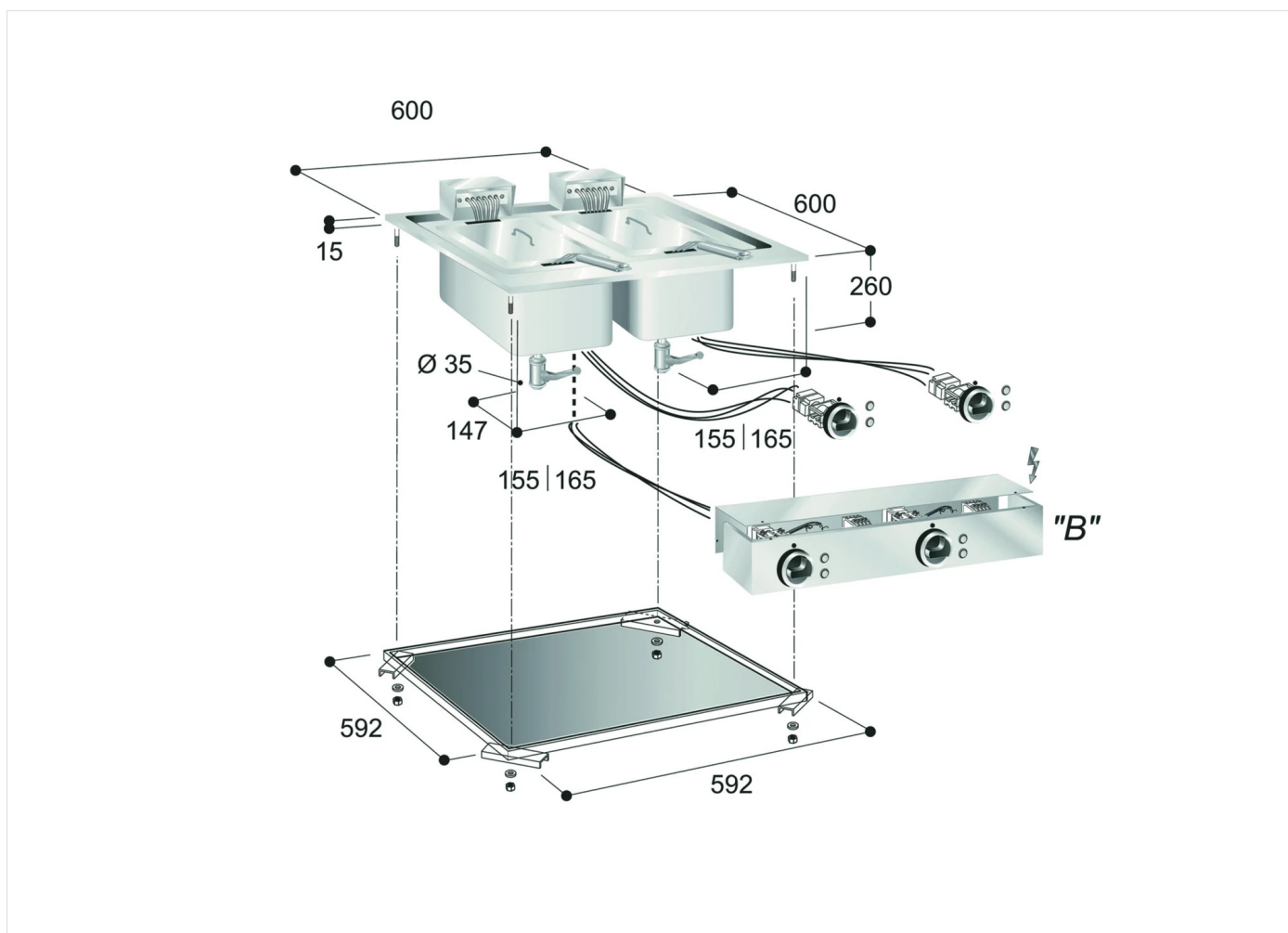
Fryer drop-in 2 baskets, max capacity lt. 10 each, thermostat to regulate temperature from 100°C to 180°C.



RANGE	CODE	MODEL	FUNCTION
Drop-in 60	MAIO402169200	FQE60DSP	Fryers

ITEM

Drop-in twin pan electric fryer 10+10 litres



**INSTALLATION SPECIFICATIONS**

(E) Electrical Connection: VAC400 3N 50/60Hz

