

RANGE	CODE	MODEL	FUNCTION
Drop-in 60	MAIO402447000	FQE6IDB	Fryers

ITEM

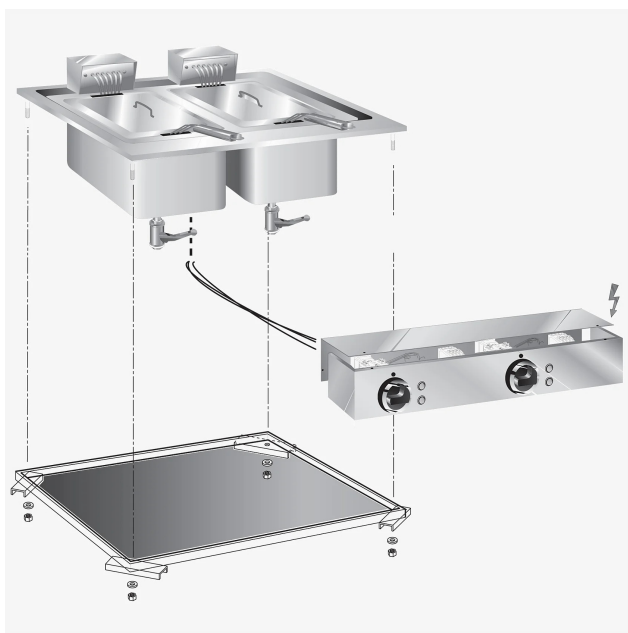
Drop-in twin pan electric fryer 10+10 litres with control box



RANGE	CODE	MODEL	FUNCTION
Drop-in 60	MA10402447000	FQE61DB	Fryers

ITEM

Drop-in twin pan electric fryer 10+10 litres with control box



TECHNICAL SPECIFICATIONS

WIDTH (mm):	600		
DEPTH (mm):	600		
HEIGHT (mm):	380		
WEIGHT (Kg):	28		
VOLUME (m ³):	0.22		
EL. POWER (kW):	18		
VOLTAGE:	VAC400 3N		
COOKING ZONES N°:	2		
TANK DIM. (mm):	220x340x220(h) mm		
TANK N°:	2	CAPACITY (L):	2x 10
TEMP. RANGE (°C):	100-180		

DESCRIPTION

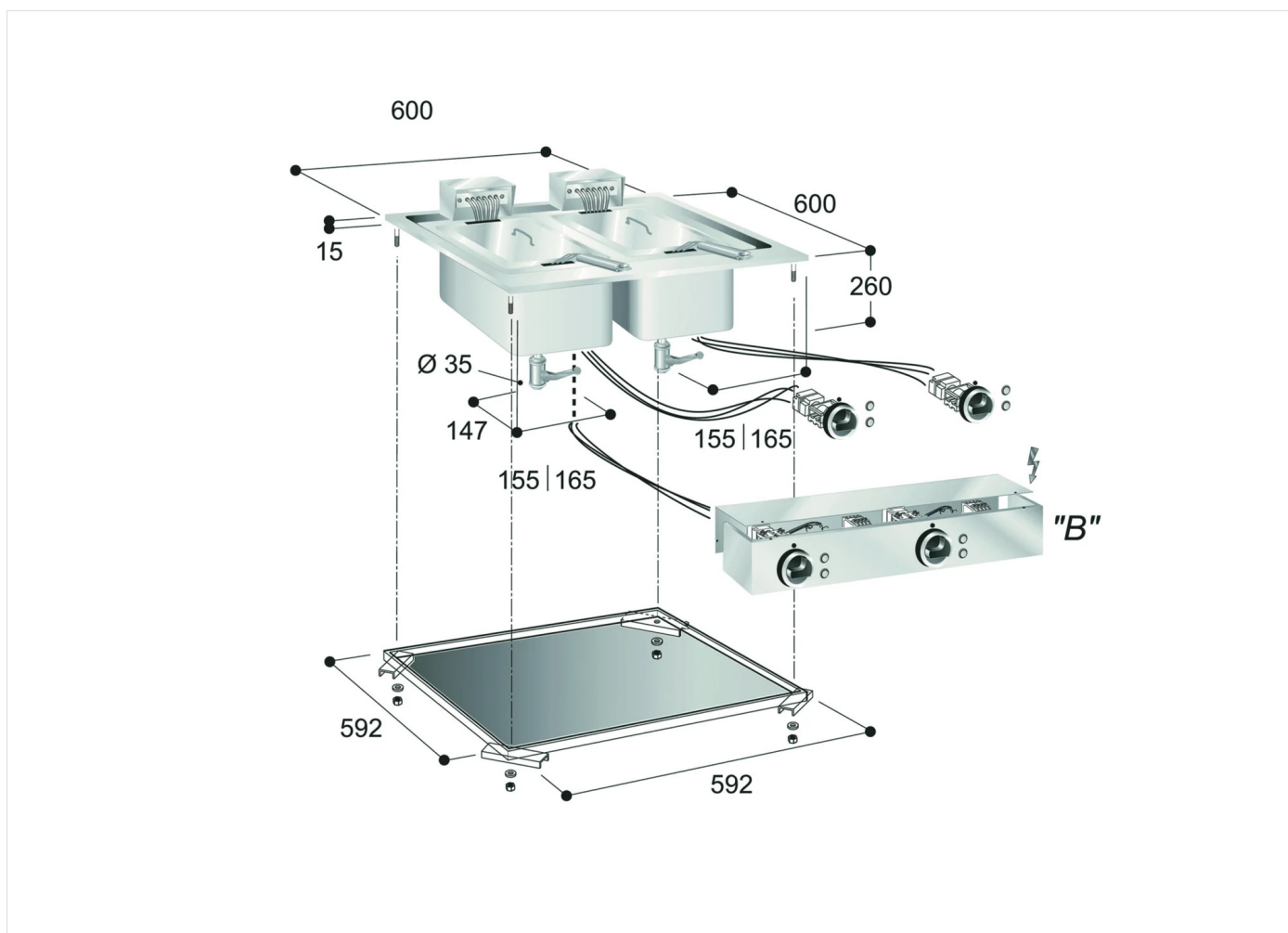
Fryer drop-in 2 baskets, max capacity lt. 10 each, thermostat to regulate temperature from 100°C to 180°C.



RANGE	CODE	MODEL	FUNCTION
Drop-in 60	MAIO402447000	FQE61DB	Fryers

ITEM

Drop-in twin pan electric fryer 10+10 litres with control box



INSTALLATION SPECIFICATIONS

(E) Electrical Connection: VAC400 3N 50/60Hz

