

RANGE	CODE	MODEL	FUNCTION
Drop-in 60	MAIO4024III40	FTE40DB#	Griddles

ITEM

Drop-in electric griddle with smooth plate with control box



RANGE	CODE	MODEL	FUNCTION
Drop-in 60	MAIO402411140	FTE40DB#	Griddles

ITEM

**Drop-in electric griddle with smooth plate with control box**



**TECHNICAL SPECIFICATIONS**

WIDTH (mm):	425
DEPTH (mm):	600
HEIGHT (mm):	180
WEIGHT (Kg):	32
VOLUME (m <sup>3</sup> ):	0.09
EL. POWER (kW):	3.9
VOLTAGE:	VAC400 3N
COOKING ZONES N°:	1
COOKING ZONES DIM. (mm):	396x521mm
TEMP. RANGE (°C):	50-320

**DESCRIPTION**

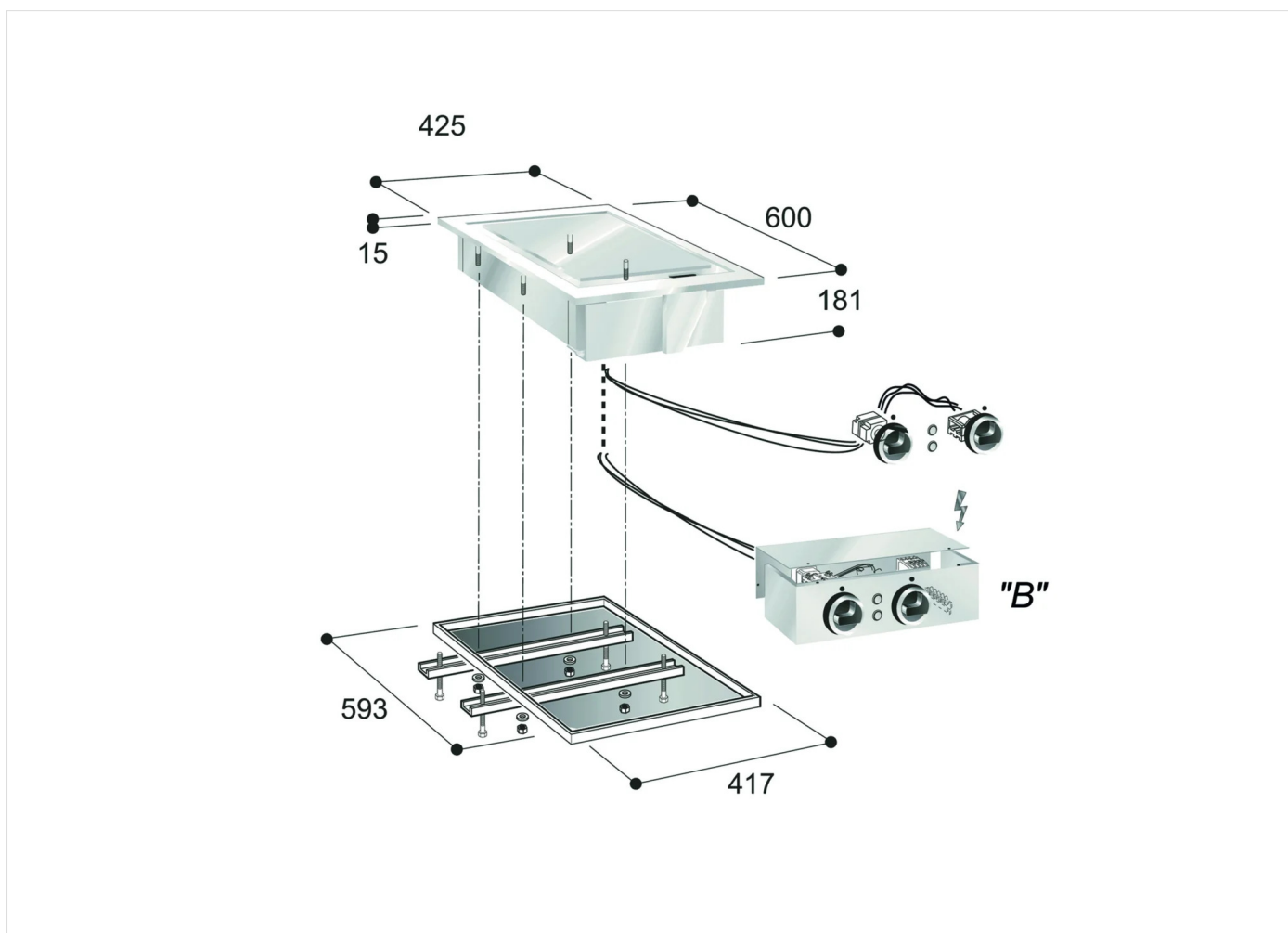
Electric drop-in fry-top with smooth plate. Front hole for dripping fat drawer. Thermostat to regulate temperature from 50°C to 320°C and manual safety thermostat. Cooking surface 21,9 dm<sup>2</sup>. Warning light to control the appliance's correct working. Fixings, 1 m. cable and scraper included.



RANGE	CODE	MODEL	FUNCTION
Drop-in 60	MAIO4O24III4O	FTE4ODB#	Griddles

ITEM

Drop-in electric griddle with smooth plate with control box



**INSTALLATION SPECIFICATIONS**

(E) Electrical Connection: VAC400 3N 50/60Hz

