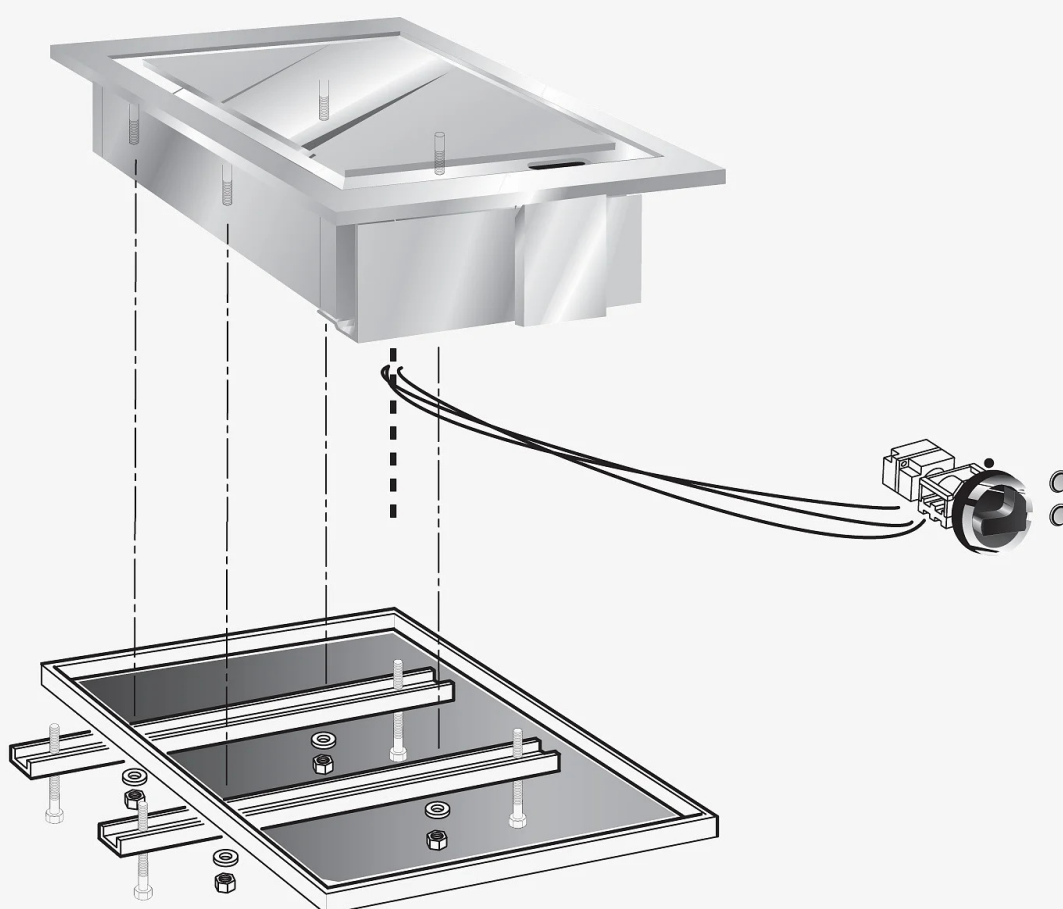


RANGE	CODE	MODEL	FUNCTION
Drop-in 60	MAIO4O2420I4O	FTE4ODC	Griddles

ITEM

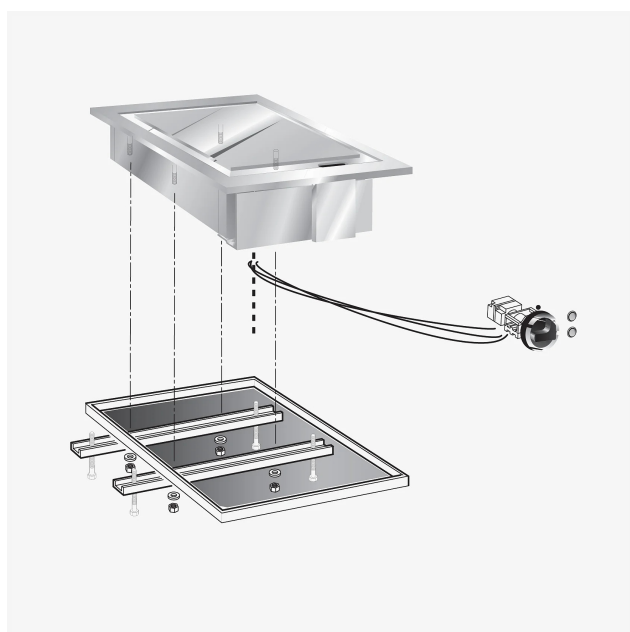
Drop-in electric griddle with smooth plate



RANGE	CODE	MODEL	FUNCTION
Drop-in 60	MAIO402420140	FTE4ODC	Griddles

ITEM

Drop-in electric griddle with smooth plate



TECHNICAL SPECIFICATIONS

WIDTH (mm):	425
DEPTH (mm):	600
HEIGHT (mm):	180
WEIGHT (Kg):	37
VOLUME (m ³):	0.11
EL. POWER (kW):	3.9
VOLTAGE:	VAC400 3N
COOKING ZONES N°:	1
COOKING ZONES DIM. (mm):	396x521mm
TEMP. RANGE (°C):	50-320

DESCRIPTION

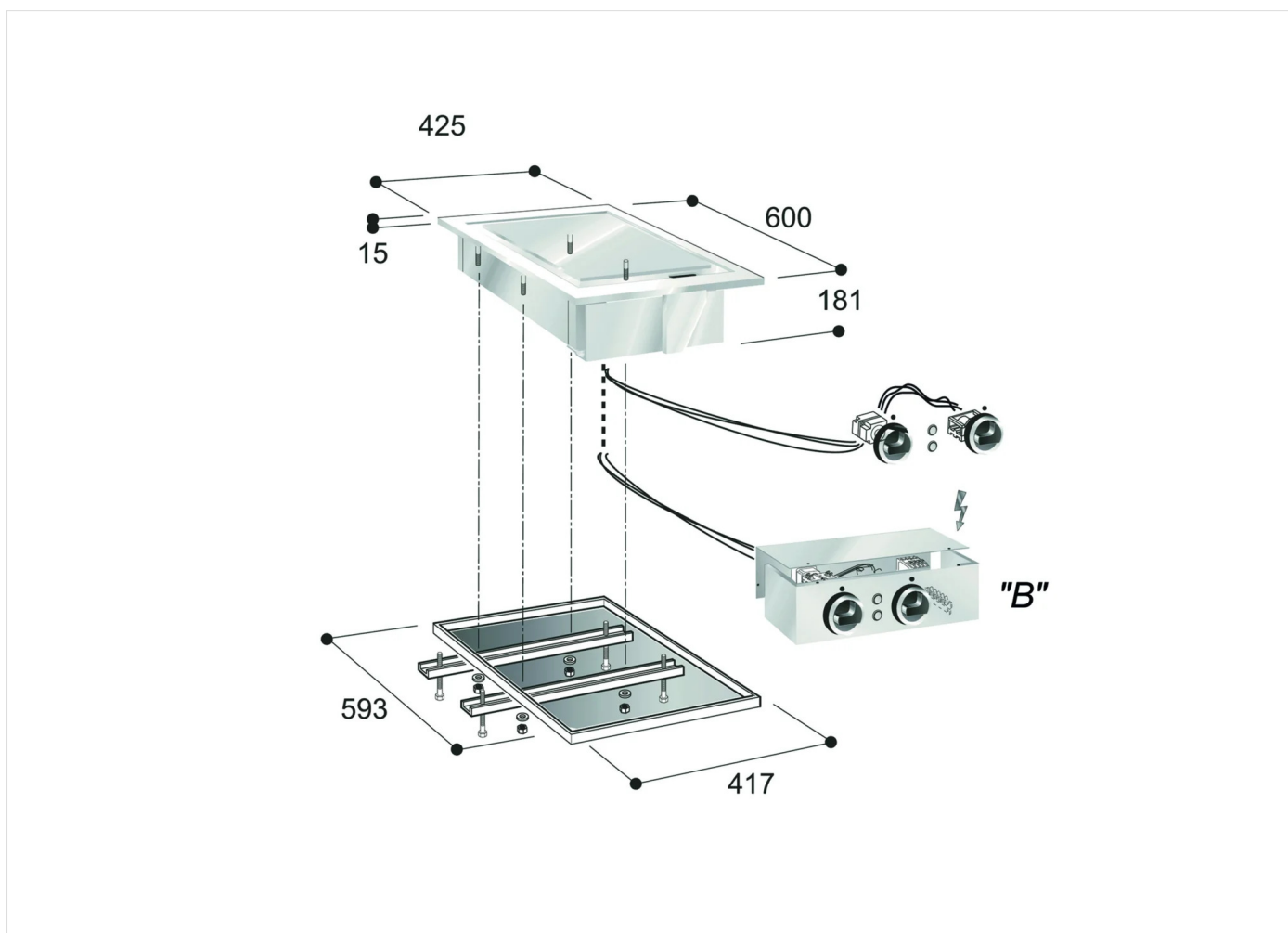
Electric drop-in fry-top with smooth plate. Front hole for dripping fat drawer. Thermostat to regulate temperature from 50°C to 250°C and manual safety thermostat. Cooking surface 21,9 dm². Warning light to control the appliance's correct working. Fixings, 1 m. cable and scraper included.



RANGE	CODE	MODEL	FUNCTION
Drop-in 60	MAIO402420I40	FTE40DC	Griddles

ITEM

Drop-in electric griddle with smooth plate



INSTALLATION SPECIFICATIONS

(E) Electrical Connection: VAC400 3N 50/60Hz

