

RANGE	CODE	MODEL	FUNCTION
Drop-in 60	MAIO4024I3I40	FTE6ODB#	Griddles

ITEM

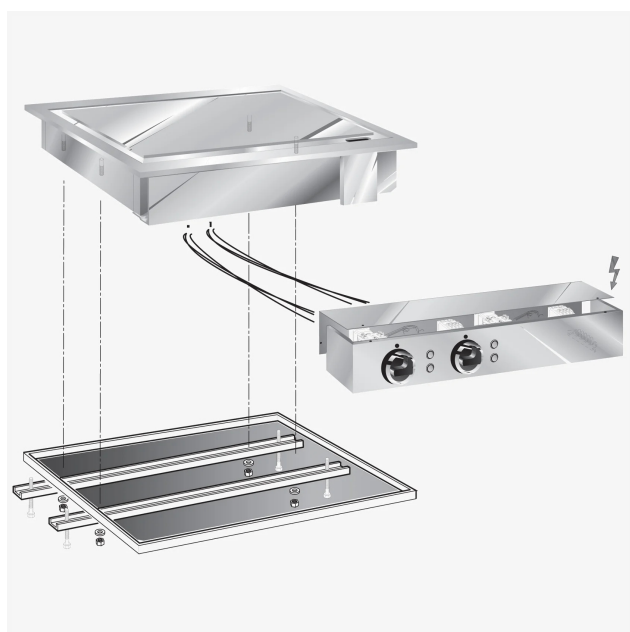
Drop-in electric griddle with smooth plate with control box



RANGE	CODE	MODEL	FUNCTION
Drop-in 60	MAIO4024I3I40	FTE6ODB#	Griddles

ITEM

**Drop-in electric griddle with smooth plate with control box**



**TECHNICAL SPECIFICATIONS**

WIDTH (mm):	<b>625</b>
DEPTH (mm):	<b>600</b>
HEIGHT (mm):	<b>180</b>
WEIGHT (Kg):	<b>44</b>
VOLUME (m <sup>3</sup> ):	<b>0.14</b>
EL. POWER (kW):	<b>7.8</b>
VOLTAGE:	<b>VAC400 3N</b>
COOKING ZONES N°:	<b>2</b>
COOKING ZONES DIM. (mm):	<b>596x521</b>
TEMP. RANGE (°C):	<b>50-320</b>

**DESCRIPTION**

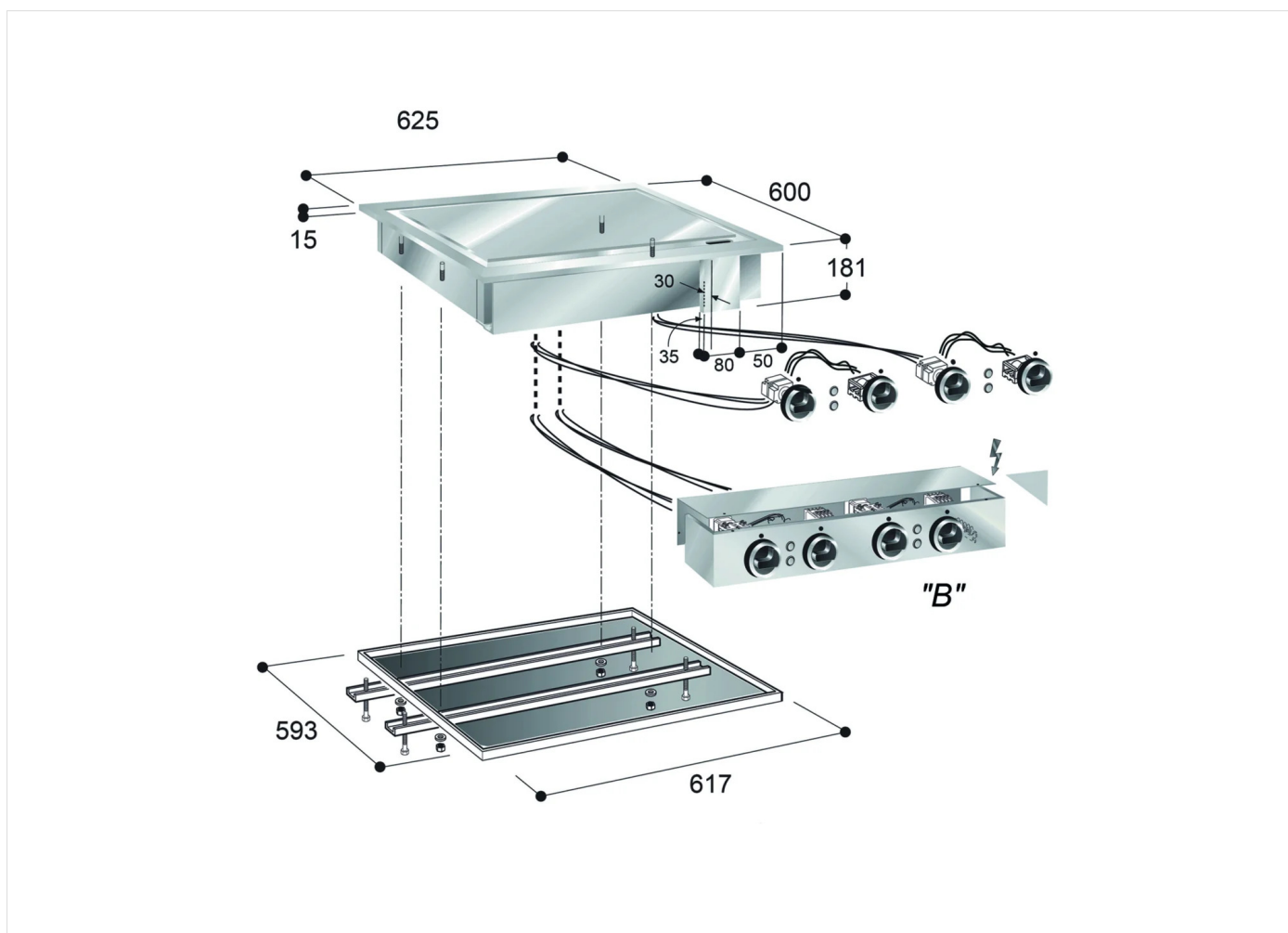
Electric drop-in fry-top with smooth plate. Front hole for dripping fat drawer. Thermostat to regulate temperature from 50°C to 320°C and manual safety thermostat. Cooking surface 33 dm<sup>2</sup>. Warning light to control the appliance's correct working. Fixings, 1 m. cable and scraper included.



RANGE	CODE	MODEL	FUNCTION
Drop-in 60	MAIO4024I3I40	FTE6ODB#	Griddles

ITEM

Drop-in electric griddle with smooth plate with control box



**INSTALLATION SPECIFICATIONS**

(E) Electrical Connection: VAC400 3N 50/60Hz

