

RANGE	CODE	MODEL	FUNCTION
Drop-in 60	MAIO402425140	FTE6ODCRLB	Griddles

ITEM

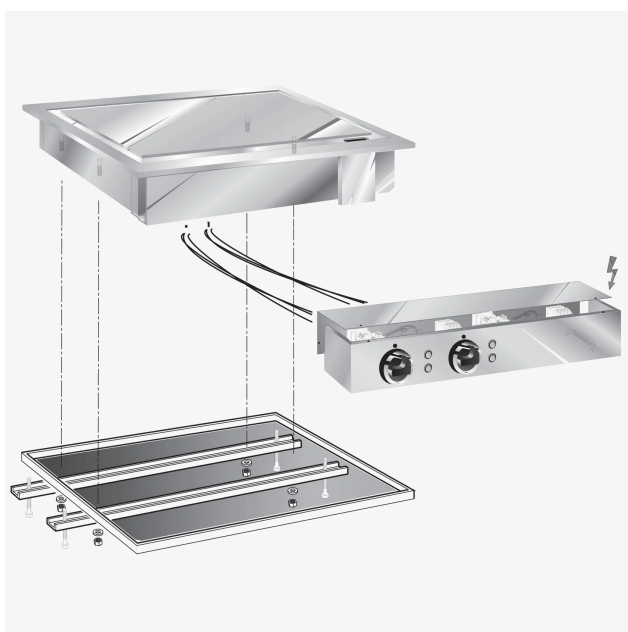
Drop-in electric griddle with half-ribbed chromed plate with control box



RANGE	CODE	MODEL	FUNCTION
Drop-in 60	MAIO402425140	FTE6ODCRLB	Griddles

ITEM

Drop-in electric griddle with half-ribbed chromed plate with control box



TECHNICAL SPECIFICATIONS

WIDTH (mm):	625
DEPTH (mm):	600
HEIGHT (mm):	180
WEIGHT (Kg):	47
VOLUME (m ³):	0.1
EL. POWER (kW):	7.8
VOLTAGE:	VAC400 3N
COOKING ZONES N°:	2
COOKING ZONES DIM. (mm):	596x521
TEMP. RANGE (°C):	50-320

DESCRIPTION

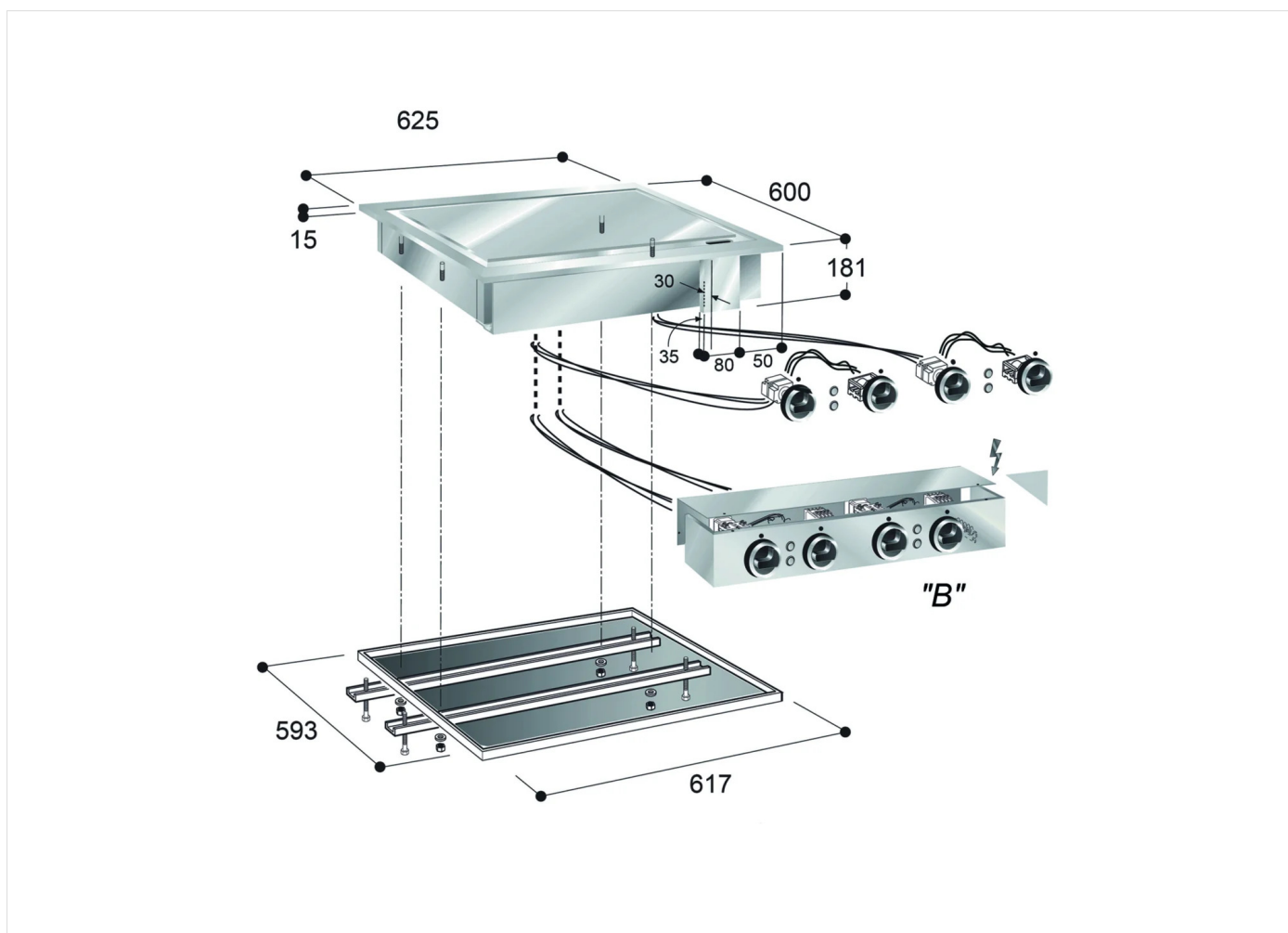
Electric drop-in fry-top with 1/2 smooth and 1/2 ribbed plate. Front hole for dripping fat drawer. Thermostat to regulate temperature from 50°C to 320°C and manual safety thermostat. Cooking surface 33 dm². Warning light to control the appliance's correct working. Fixings, 1 m. cable and scraper included.



RANGE	CODE	MODEL	FUNCTION
Drop-in 60	MAIO402425140	FTE60DCRLB	Griddles

ITEM

Drop-in electric griddle with half-ribbed chromed plate with control box



INSTALLATION SPECIFICATIONS

(E) Electrical Connection: VAC400 3N 50/60Hz

