

RANGE	CODE	MODEL	FUNCTION
Drop-in 60	CRI303110	FTE6ODRB	Griddles

ITEM

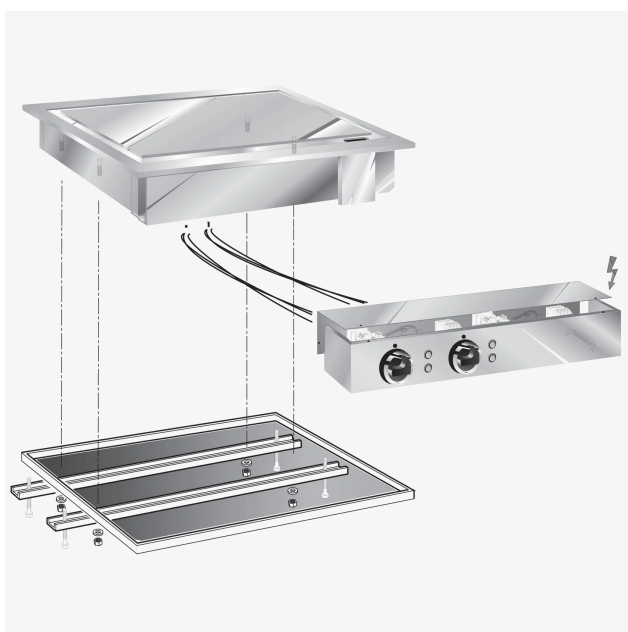
Drop-in electric griddle with half-ribbed plate with control box



RANGE	CODE	MODEL	FUNCTION
Drop-in 60	CR1303110	FTE6ODRB	Griddles

ITEM

Drop-in electric griddle with half-ribbed plate with control box



TECHNICAL SPECIFICATIONS

WIDTH (mm):	625
DEPTH (mm):	600
HEIGHT (mm):	180
WEIGHT (Kg):	44
VOLUME (m ³):	0.14
EL. POWER (kW):	7.8
VOLTAGE:	VAC400 3N
COOKING ZONES N°:	2
COOKING ZONES DIM. (mm):	596x521
TEMP. RANGE (°C):	50-320

DESCRIPTION

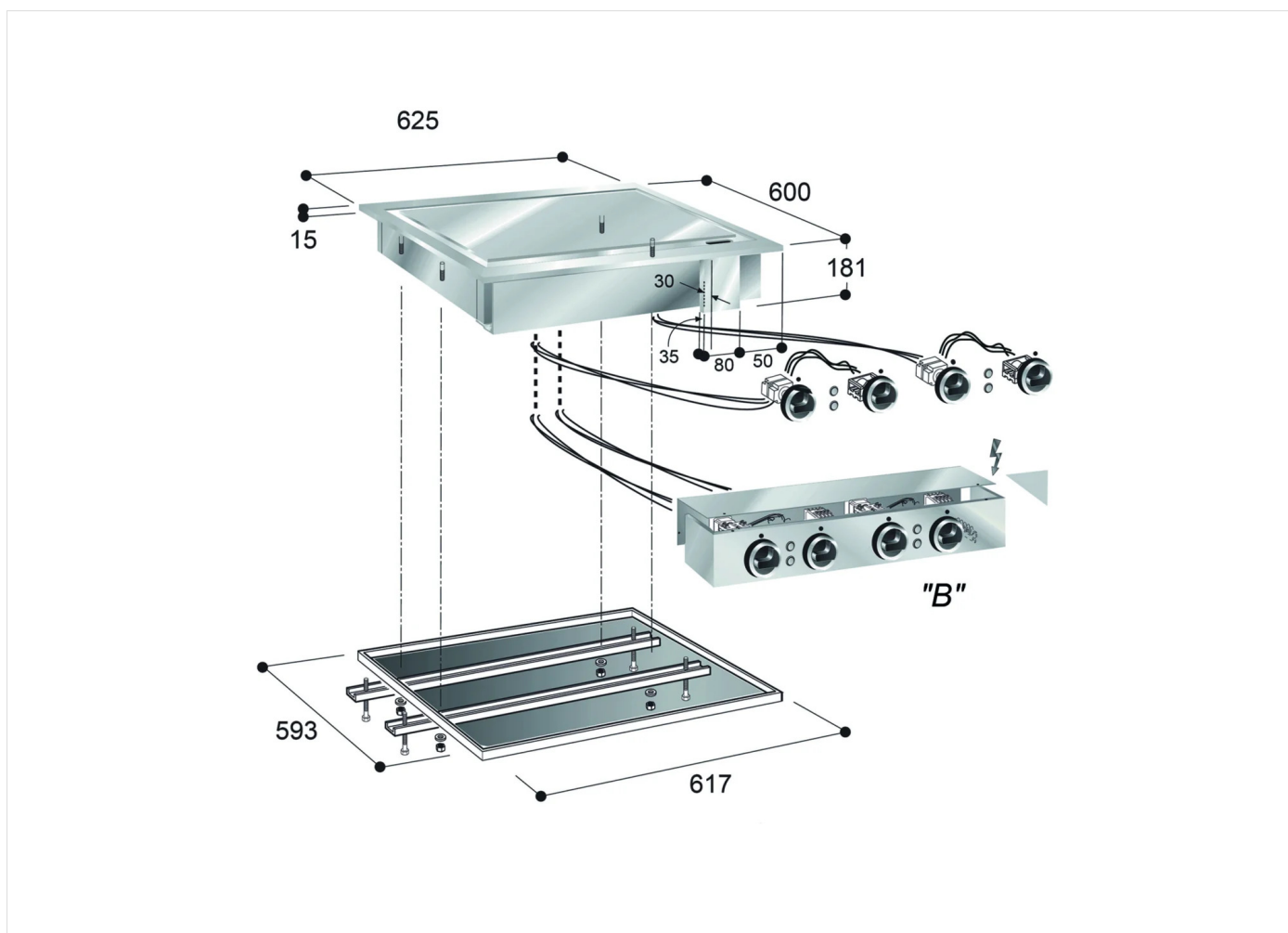
Electric drop-in fry-top with 1/2 smooth and 1/2 ribbed plate made of Aisi 430 stainless steel. Front hole for dripping fat drawer. Thermostat to regulate temperature from 50°C to 320°C and manual safety thermostat. Cooking surface 33 dm². Warning light to control the appliance's correct working. Fixings, 1 m. cable and scraper included. The product complies with EC 1935/2004 Regulation and 21/O3/1973 Rulemaking (Materials and articles intended to come into contact with foodstuffs).



RANGE	CODE	MODEL	FUNCTION
Drop-in 60	CR1303110	FTE6ODRB	Griddles

ITEM

Drop-in electric griddle with half-ribbed plate with control box



INSTALLATION SPECIFICATIONS

(E) Electrical Connection: VAC400 3N 50/60Hz

