

RANGE	CODE	MODEL	FUNCTION
Drop-in 60	MAIO4O243614O	BME6ODM	Bain-Marie

ITEM

Drop-in electric bain marie



RANGE	CODE	MODEL	FUNCTION
Drop-in 60	MAIO4O243614O	BME6ODM	Bain-Marie

ITEM

Drop-in electric bain marie



TECHNICAL SPECIFICATIONS

WIDTH (mm):	600
DEPTH (mm):	600
HEIGHT (mm):	335
WEIGHT (Kg):	14
VOLUME (m ³):	0.16
EL. POWER (kW):	3
VOLTAGE:	VAC230 I
COOKING ZONES N°:	1
TANK DIM. (mm):	490x510x195(h) mm
TANK N°:	1
	CONTAINERS MAX H: 150mm
TEMP. RANGE (°C):	30-90

DESCRIPTION

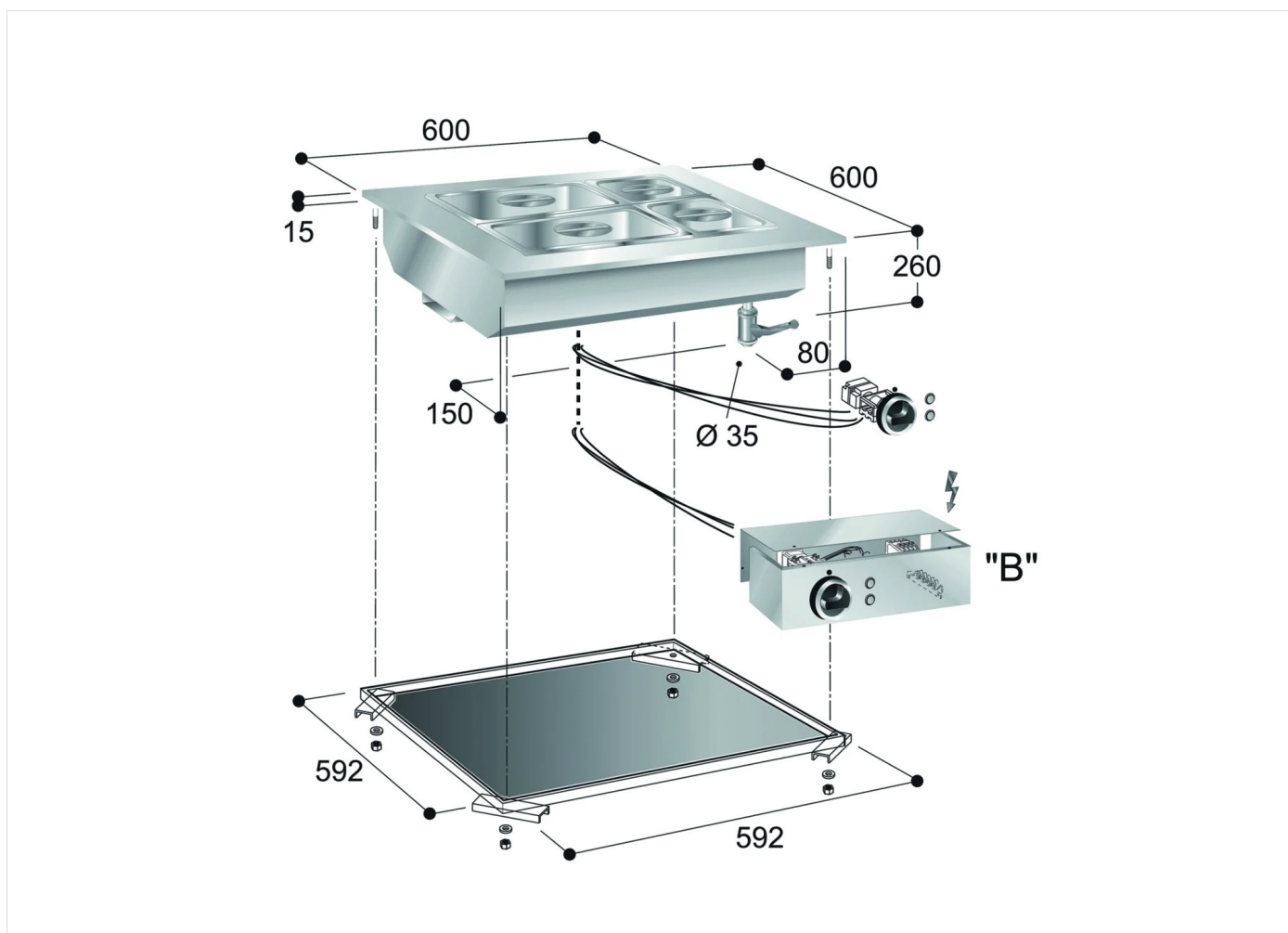
Built-in single-phase electric bain-marie made of stainless steel. Heating by means of armoured heating elements controlled by thermostat with regulation range from 30°C to 90°C. Appliance equipped with perforated false bottom and drain cock. Tank complying with GN dimensions suitable for GNI/I bowls with maximum height H=150 mm. Complete with pilot lights, knobs and fixing brackets.



RANGE	CODE	MODEL	FUNCTION
Drop-in 60	MAIO4O243614O	BME6ODM	Bain-Marie

ITEM

Drop-in electric bain marie



INSTALLATION SPECIFICATIONS

(E) Electrical Connection: VAC230 I 50/60Hz

