

RANGE	CODE	MODEL	FUNCTION
Drop-in 60	MAIO40243IOOO	VBE4ODB	Multipla

ITEM

Drop-in electric multiple cooking function pan with control box



RANGE	CODE	MODEL	FUNCTION
Drop-in 60	MA10402431000	VBE4ODB	Multipla

ITEM

Drop-in electric multiple cooking function pan with control box



TECHNICAL SPECIFICATIONS

WIDTH (mm):	400		
DEPTH (mm):	600		
HEIGHT (mm):	320		
WEIGHT (Kg):	24		
VOLUME (m ³):	0.1		
EL. POWER (kW):	4.05		
VOLTAGE:	VAC400 3N		
COOKING ZONES N°:	1		
TANK DIM. (mm):	320x480x91,3(h)mm		
TANK N°:	1	CAPACITY (L):	13
TEMP. RANGE (°C):	50-300		

DESCRIPTION

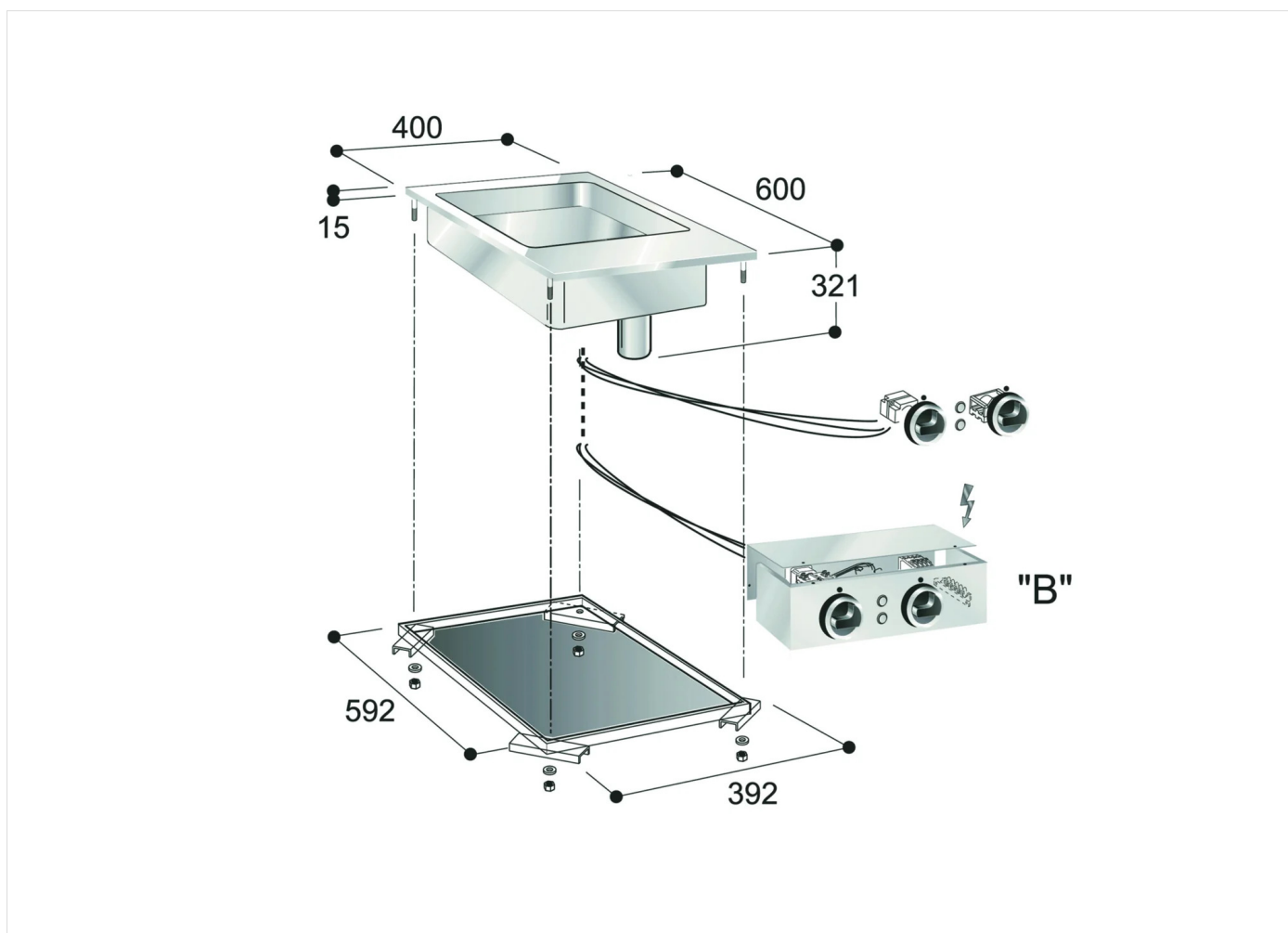
Multifunction cooker, electrical, drop-in, in st. steel. Removable cuve in steel of Lts.13 rectangular shape, bottom in shining st. steel, Heating by armoured heaters. Thermostat (50°C a 300°C).



RANGE	CODE	MODEL	FUNCTION
Drop-in 60	MA10402431000	VBE40DB	Multipla

ITEM

Drop-in electric multiple cooking function pan with control box



INSTALLATION SPECIFICATIONS

(E) Electrical Connection: VAC400 3N 50/60Hz

