

| RANGE      | CODE          | MODEL  | FUNCTION |
|------------|---------------|--------|----------|
| Drop-in 60 | MAIO402432000 | VBE60D | Multipla |

ITEM

Drop-in electric multiple cooking function pan



| RANGE      | CODE          | MODEL  | FUNCTION |
|------------|---------------|--------|----------|
| Drop-in 60 | MAIO402432000 | VBE6OD | Multipla |

ITEM

Drop-in electric multiple cooking function pan



TECHNICAL SPECIFICATIONS

|                           |                   |               |    |
|---------------------------|-------------------|---------------|----|
| WIDTH (mm):               | 600               |               |    |
| DEPTH (mm):               | 600               |               |    |
| HEIGHT (mm):              | 320               |               |    |
| WEIGHT (Kg):              | 38                |               |    |
| VOLUME (m <sup>3</sup> ): | 0.15              |               |    |
| EL. POWER (kW):           | 8.1               |               |    |
| VOLTAGE:                  | VAC400 3N         |               |    |
| COOKING ZONES N°:         | 1                 |               |    |
| TANK DIM. (mm):           | 520x480x91,3(h)mm |               |    |
| TANK N°:                  | 1                 | CAPACITY (L): | 21 |
| TEMP. RANGE (°C):         | 50-300            |               |    |

DESCRIPTION

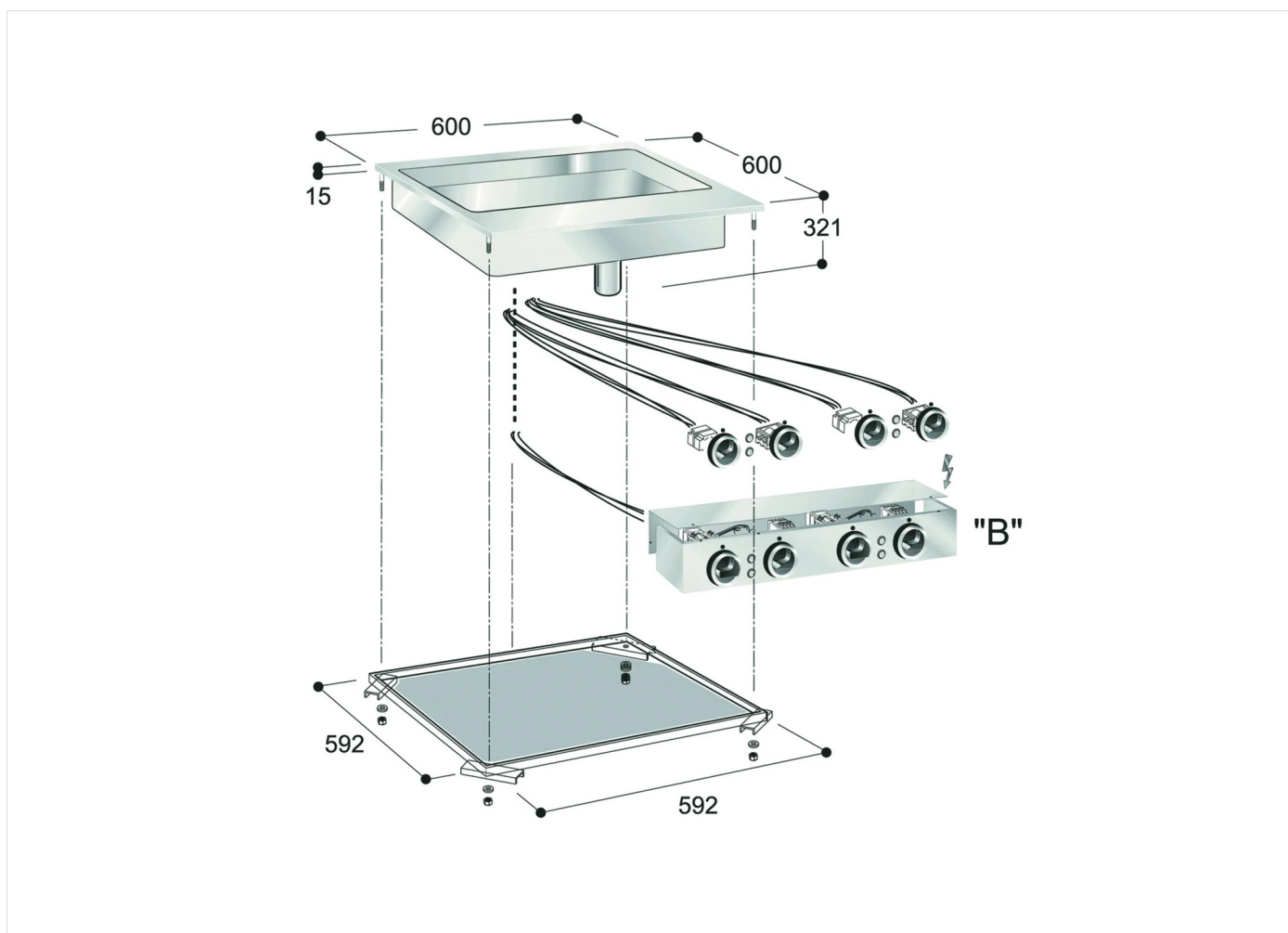
Multifunction cooker, electrical, drop-in, in st. steel. Removable cuve in steel of Lts. 21 rectangular shape, bottom in shining st. steel, Heating by armoured heaters. Thermostat ( 50°C a 300°C.).



| RANGE      | CODE          | MODEL  | FUNCTION |
|------------|---------------|--------|----------|
| Drop-in 60 | MAIO402432000 | VBE6OD | Multipla |

ITEM

Drop-in electric multiple cooking function pan



### INSTALLATION SPECIFICATIONS

(E) Electrical Connection: VAC400 3N 50/60Hz

