

RANGE	CODE	MODEL	FUNCTION
Drop-in 60	MAIO402433000	VBE6ODB	Multipla

ITEM

Drop-in electric multiple cooking function pan with control box



RANGE	CODE	MODEL	FUNCTION
Drop-in 60	MAIO402433000	VBE6ODB	Multipla

ITEM

**Drop-in electric multiple cooking function pan with control box**



**TECHNICAL SPECIFICATIONS**

WIDTH (mm):	600		
DEPTH (mm):	600		
HEIGHT (mm):	320		
WEIGHT (Kg):	39		
VOLUME (m <sup>3</sup> ):	0.21		
EL. POWER (kW):	8.1		
VOLTAGE:	VAC400 3N		
COOKING ZONES N°:	1		
TANK DIM. (mm):	520x480x91,3(h)mm		
TANK N°:	1	CAPACITY (L):	21
TEMP. RANGE (°C):	50-300		

**DESCRIPTION**

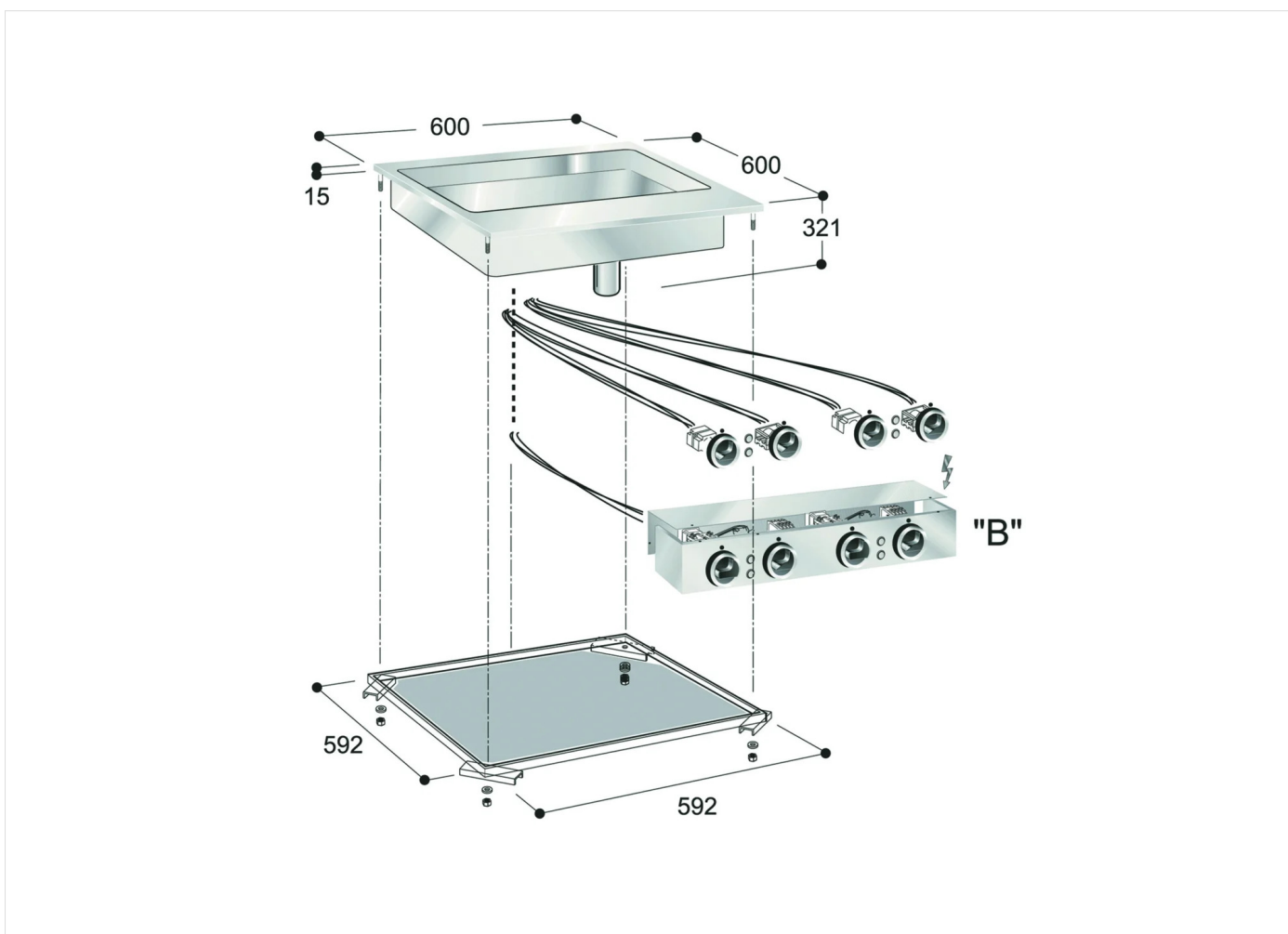
Multifunction cooker, electrical, drop-in, in st. steel. Removable cuve in steel of Lts. 21 rectangular shape, bottom in shining st. steel, Heating by armoured heaters. Thermostat ( 50°C a 300°C.).



RANGE	CODE	MODEL	FUNCTION
Drop-in 60	MAIO402433000	VBE6ODB	Multipla

ITEM

Drop-in electric multiple cooking function pan with control box



**INSTALLATION SPECIFICATIONS**

(E) Electrical Connection: VAC400 3N 50/60Hz

