

RANGE	CODE	MODEL	FUNCTION
Drop-in 60	MAIO40I829000	CPE6ODB	Pasta Cooker

ITEM

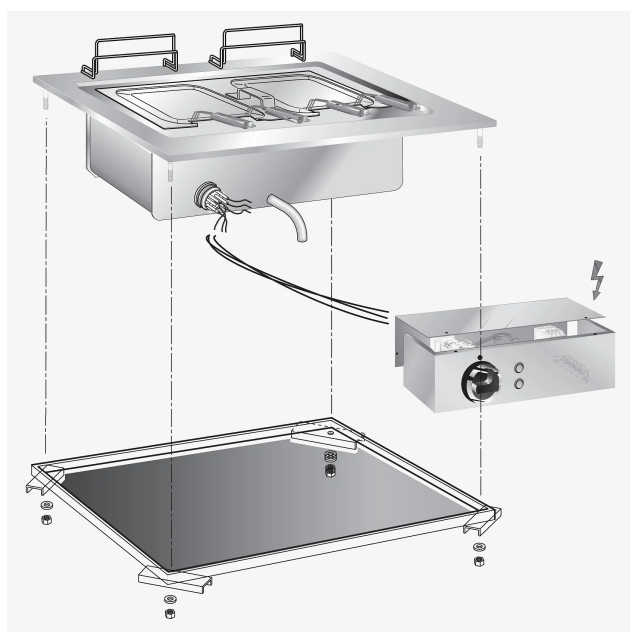
Drop-in single well electric pasta cooker with control box



RANGE	CODE	MODEL	FUNCTION
Drop-in 60	MAIO40I829000	CPE6ODB	Pasta Cooker

ITEM

Drop-in single well electric pasta cooker with control box



TECHNICAL SPECIFICATIONS

WIDTH (mm):	600
DEPTH (mm):	600
HEIGHT (mm):	335
WEIGHT (Kg):	22
VOLUME (m ³):	0.22
EL. POWER (kW):	9
VOLTAGE:	VAC400 3N
COOKING ZONES N°:	2
TANK DIM. (mm):	500x340x200(h) mm
TANK N°:	1
CAPACITY (L):	2x 28

DESCRIPTION

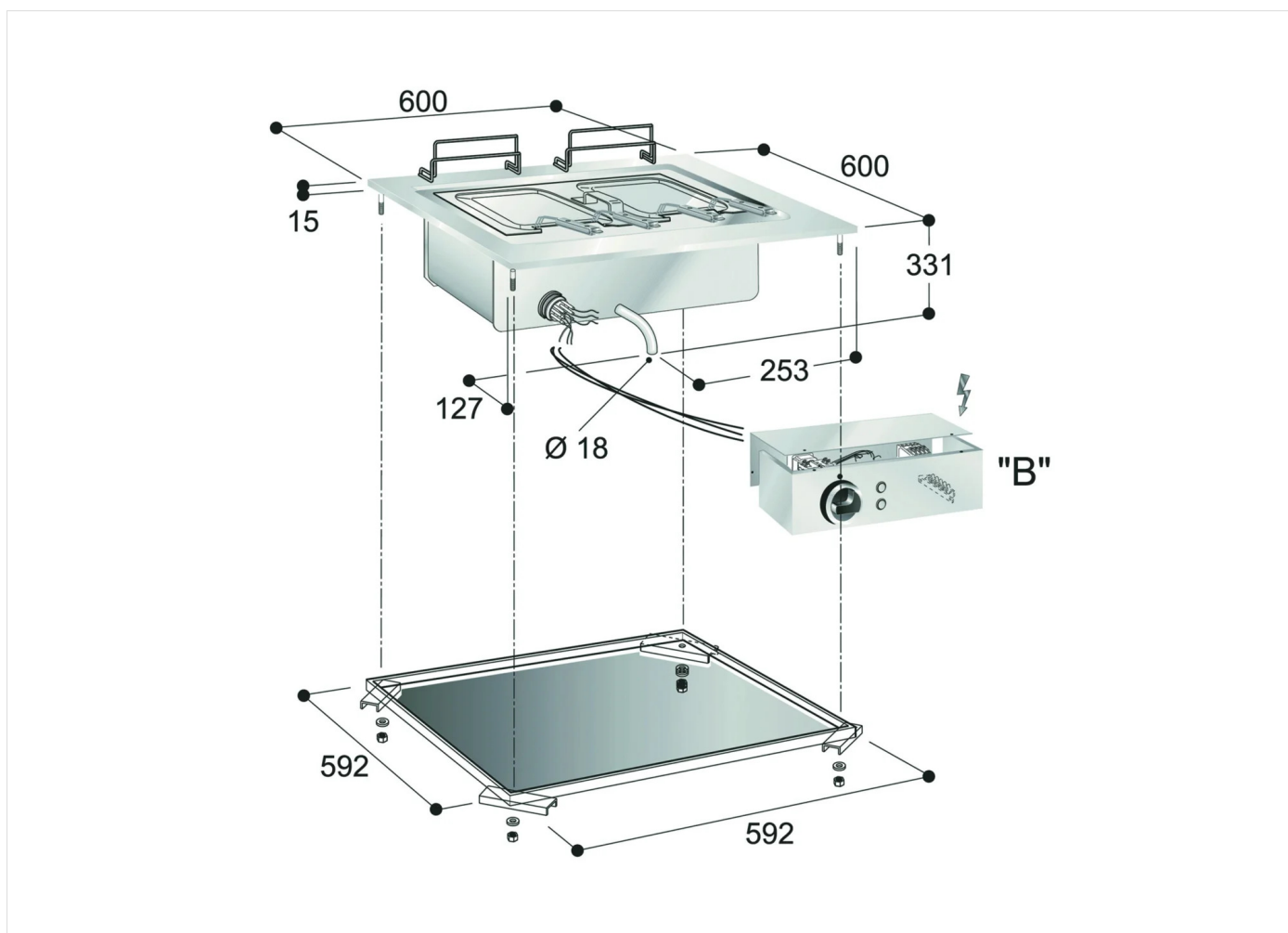
S/s pasta cooker, tank capacity 28 lt., tank dimensions mm 490x400x195h, c/w 4 baskets, false bottom, grid and lid. Pan water filling with solenoid valve, drain-off valve, three power selections (9-4,5-3 kW) starch drain.



RANGE	CODE	MODEL	FUNCTION
Drop-in 60	MAIO40I829000	CPE60DB	Pasta Cooker

ITEM

Drop-in single well electric pasta cooker with control box



INSTALLATION SPECIFICATIONS

(E) Electrical Connection: VAC400 3N 50/60Hz

