

RANGE	CODE	MODEL	FUNCTION
MI - 90	MAMCOOO3320	CV94ET	Glassceramic Ranges

ITEM

2 ceramic hotplate electric boiling top



RANGE	CODE	MODEL	FUNCTION
MI - 90	MAMCOOO3320	CV94ET	Glassceramic Ranges

ITEM

2 ceramic hotplate electric boiling top



TECHNICAL SPECIFICATIONS

WIDTH (mm):	400
DEPTH (mm):	920
HEIGHT (mm):	250
WEIGHT (Kg):	28
VOLUME (m ³):	0.25
EL. POWER (kW):	8
VOLTAGE:	VAC400-3N
COOKING ZONES N°:	2
COOKING ZONES DIM. (mm):	2x Ø 300mm
IP GRADE:	IPX5

DESCRIPTION

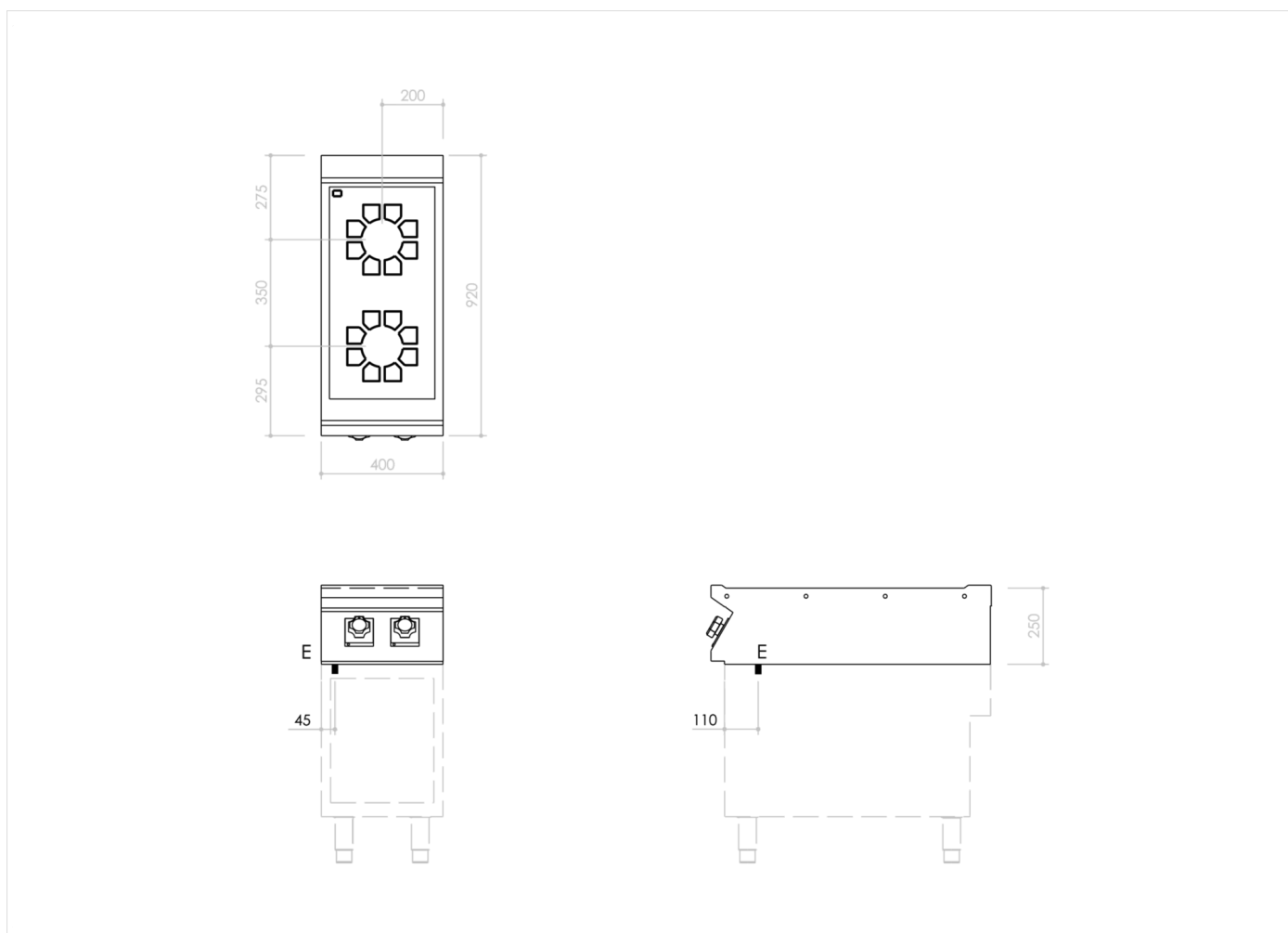
Glass ceramic electric boiling top, in AISI 304 stainless steel. 20/10 pressed steel top with anti-spill front edge, designed for flush alignment with hermetic seal supplied. Top designed to accommodate water column accessory. 6 mm thick glass ceramic cooking surface hermetically sealed to the top and designed to create 2 independent cooking zones, each with underlying 4 kW Ø 300 mm radiant elements to reach maximum temperature of 400°C in 3 min. Glass dimensions 350x700 mm. The cooking zones are marked by screen printed circles on the glass-ceramic surface and equipped with residual heat indicators. Energy regulator for heat control with shape designed to prevent water infiltration, with integral indicator lights for instant recognition of appliance operation. Hotplates equipped with automatic reset safety thermostat that trips if the appliance is switched on with an unsuitable pan or no pan at all. IPX5 water-resistant rating.



RANGE	CODE	MODEL	FUNCTION
MI - 90	MAMCOOO3320	CV94ET	Glassceramic Ranges

ITEM

2 ceramic hotplate electric boiling top



INSTALLATION SPECIFICATIONS

(E) Electrical Connection: **VAC400-3N 50/60Hz**

