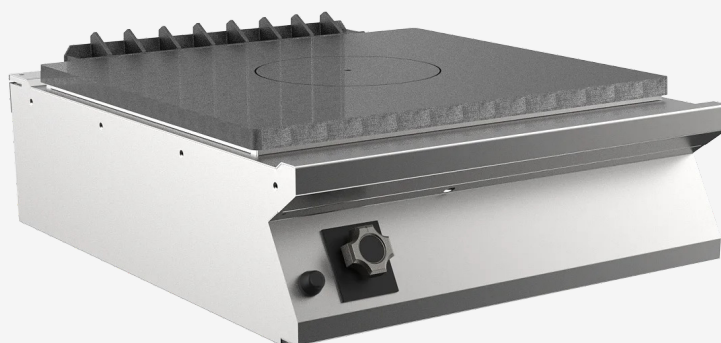


RANGE	CODE	MODEL	FUNCTION
MI - 70	MAMCOOOO2IO	TP78GT	Solid Top

ITEM

Gas cast iron solid top plate with removable bullseye



RANGE	CODE	MODEL	FUNCTION
MI - 70	MAMCOOOO2IO	TP78GT	Solid Top

ITEM

Gas cast iron solid top plate with removable bullseye



TECHNICAL SPECIFICATIONS

WIDTH (mm):	800
DEPTH (mm):	750
HEIGHT (mm):	250
WEIGHT (Kg):	78
VOLUME (m ³):	0.4
GAS POWER (kW):	9
COOKING ZONES N°:	1
COOKING ZONES DIM. (mm):	780x580
COOKING ZONE DETAILS:	1 x 9 kW

DESCRIPTION

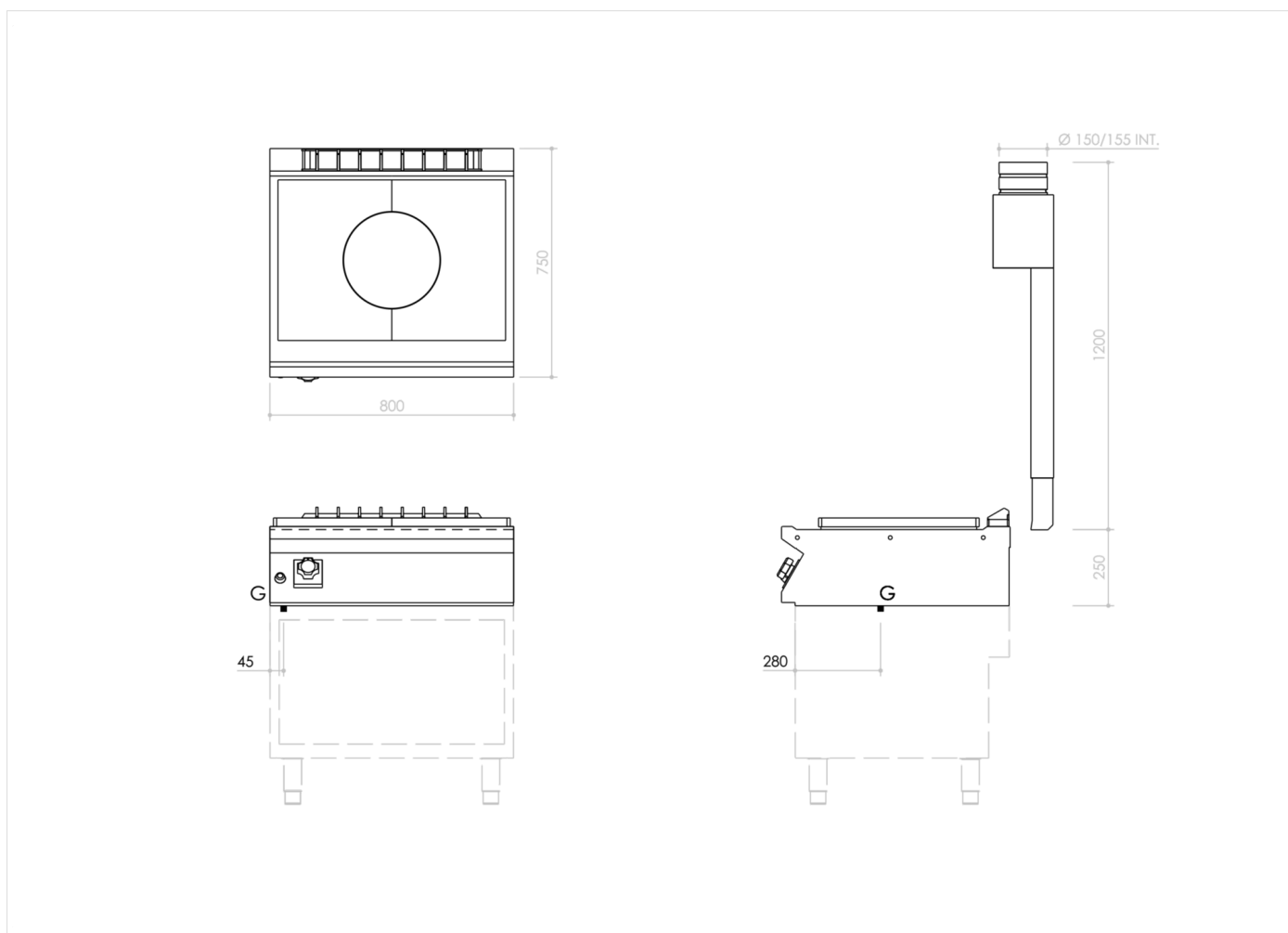
Gas solid top in AISI 304 stainless steel. 20/10 pressed steel top with anti-spill front edge, designed for flush alignment with hermetic seal supplied. Top designed to accommodate water column accessory. 780x700 mm radiant hotplate in heavy gauge cast iron with ribs for optimal heat diffusion and central bullseye. Heating occurs by means of a double ring, stainless steel, chromed burner with high rated output to reach 500 °C at the centre of the plate and 200 °C near the edges, complete with a pilot burner with piezoelectric ignition and safety thermocouple. Ergonomic knobs shaped to prevent water infiltration. Gas supply controlled by a thermostatic safety valve. IPX5 water-resistant rating.



RANGE	CODE	MODEL	FUNCTION
MI - 70	MAMCOOOO2IO	TP78GT	Solid Top

ITEM

Gas cast iron solid top plate with removable bullseye



INSTALLATION SPECIFICATIONS

(G) Gas Inlet: $\text{Ø}1/2''$

