

RANGE	CODE	MODEL	FUNCTION
MI - 110	CRI305780	NT109G	Solid Top

ITEM

Pass through gas cast iron solid top plate with removable bullseye

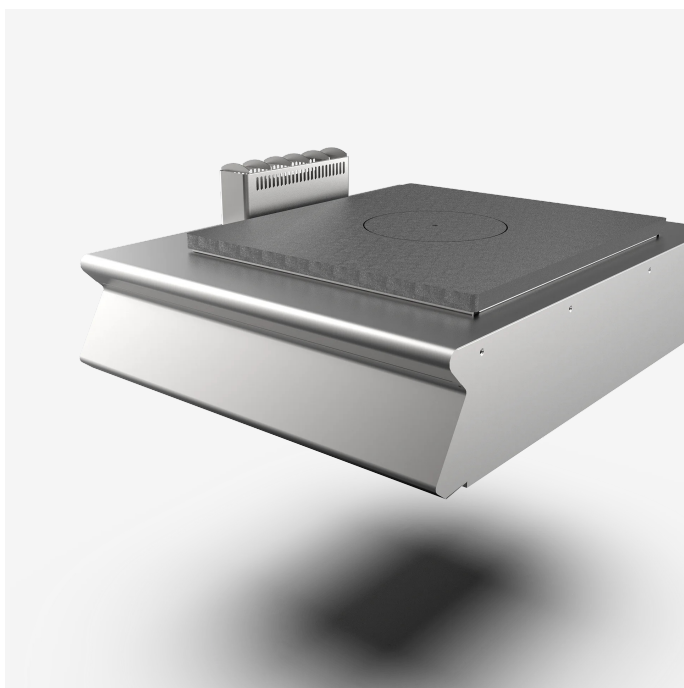
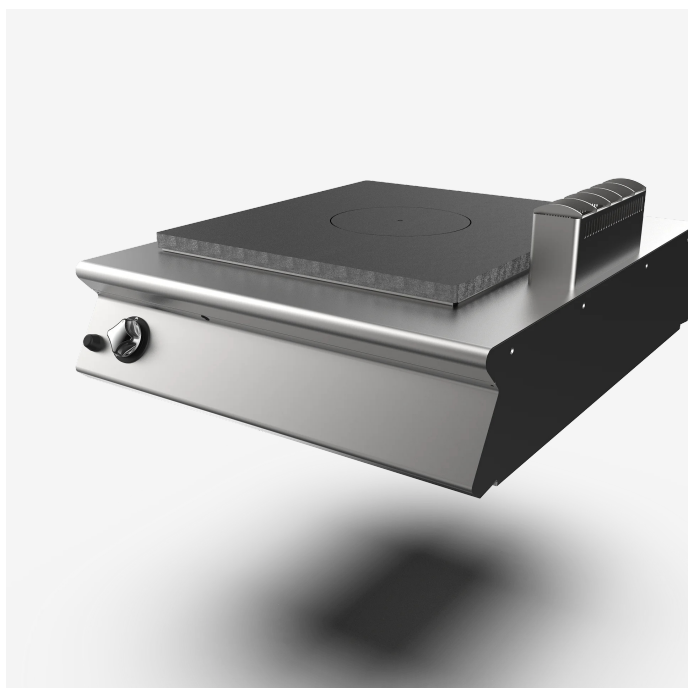


RANGE	CODE	MODEL	FUNCTION
MI - IIO	CRI3O578O	NTIO9G	Solid Top

ITEM

Pass through gas cast iron solid top plate with removable bullseye

DETAILS



RANGE	CODE	MODEL	FUNCTION
MI - 110	CRI305780	NT109G	Solid Top

ITEM

Pass through gas cast iron solid top plate with removable bullseye



TECHNICAL SPECIFICATIONS

WIDTH (mm):	900
DEPTH (mm):	1100
HEIGHT (mm):	250
WEIGHT (Kg):	248
VOLUME (m ³):	0.37
GAS POWER (kW):	11
COOKING ZONES N°:	1
COOKING ZONES DIM. (mm):	700x791
COOKING ZONE DETAILS:	1 x 11 kW
TEMP. RANGE (°C):	0-500

DESCRIPTION

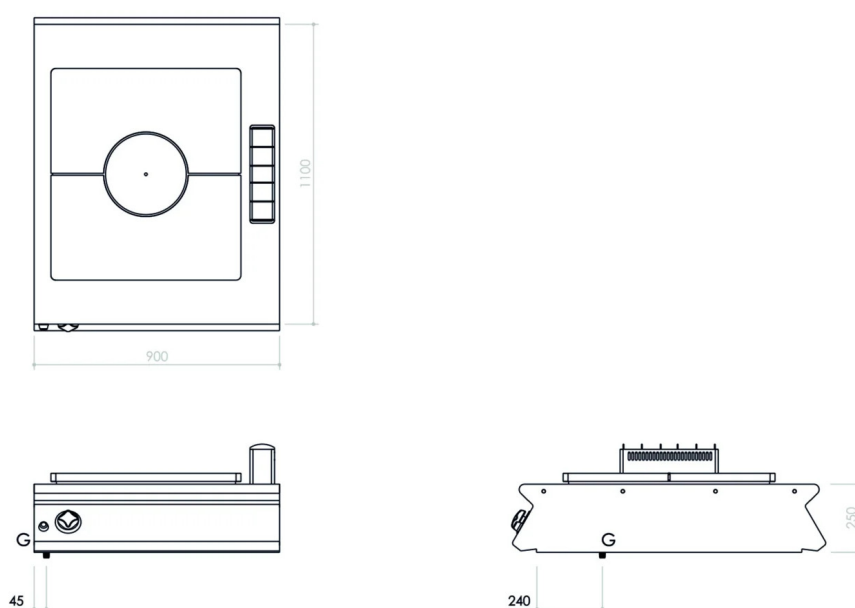
Pass-through gas solid top, made of AISI 304 stainless steel. Top with a 20/10 thickness, set-up for a head joint. Very thick, radiating cast iron plate, ribbed for the temperature to be distributed correctly, with a central round opening. Heating occurs by means of a stainless steel burner of enhanced power for 500 °C to be reached at the centre of the plate. Complete with a pilot burner and safety thermocouple. Gas supply controlled by a thermostatic safety valve. Automatic ignition by means of a piezoelectric device. Dimensions of the plate are 700x791 mm.



RANGE	CODE	MODEL	FUNCTION
MI - 110	CRI305780	NT109G	Solid Top

ITEM

Pass through gas cast iron solid top plate with removable bullseye



INSTALLATION SPECIFICATIONS

(G) Gas Inlet: $\text{Ø}1/2''$

