

RANGE	CODE	MODEL	FUNCTION
MI - IIO	CR1500070	NT109GI	Solid Top

ITEM

Pass through gas cast iron solid top plate with removable bullseye on open hygienic H2 stand



RANGE	CODE	MODEL	FUNCTION
MI - 110	CRI500070	NT109GI	Solid Top

ITEM

Pass through gas cast iron solid top plate with removable bullseye on open hygienic H2 stand

DETAILS



RANGE	CODE	MODEL	FUNCTION
MI - 110	CRI500070	NT109GI	Solid Top

ITEM

Pass through gas cast iron solid top plate with removable bullseye on open hygienic H2 stand



TECHNICAL SPECIFICATIONS

WIDTH (mm):	900
DEPTH (mm):	1100
HEIGHT (mm):	870
WEIGHT (Kg):	248
VOLUME (m ³):	0.99
GAS POWER (kW):	11
INTERNAL BASE UNIT DIM. (mm):	840x970x375(h)
COOKING ZONES N°:	1
COOKING ZONES DIM. (mm):	700x791
COOKING ZONE DETAILS:	1 x 11 kW
TEMP. RANGE (°C):	0-500

DESCRIPTION

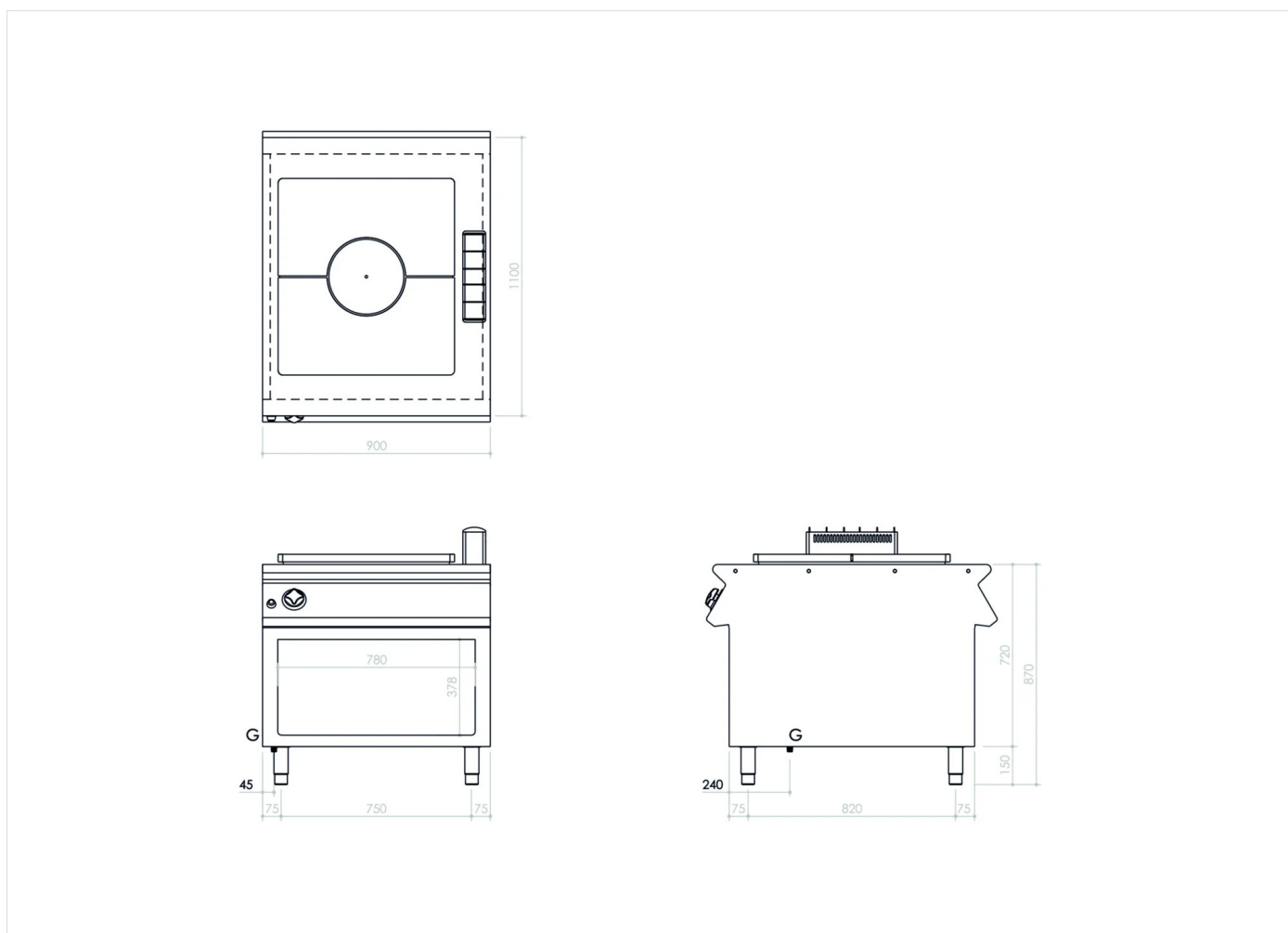
Pass-through floor standing gas solid top with double skin hygienic H2 open base unit , made of AISI 304 stainless steel. Top with a 20/10 thickness, set-up for a head joint. Very thick, radiating cast iron plate, ribbed for the temperature to be distributed correctly, with a central round opening. Heating occurs by means of a stainless steel burner of enhanced power for 500 °C to be reached at the centre of the plate. Complete with a pilot burner and safety thermocouple. Gas supply controlled by a thermostatic safety valve. Automatic ignition by means of a piezoelectric device. Dimensions of the plate are 700x791 mm.



RANGE	CODE	MODEL	FUNCTION
MI - 110	CRI500070	NT109GI	Solid Top

ITEM

Pass through gas cast iron solid top plate with removable bullseye on open hygienic H2 stand



INSTALLATION SPECIFICATIONS

(G) Gas Inlet: $\text{Ø}1\frac{1}{2}''$

