

RANGE	CODE	MODEL	FUNCTION
MI - 110	CRI305790	NTIOFG9G	Solid Top

ITEM

Pass through gas cast iron solid top plate with removable bullseye gas oven range

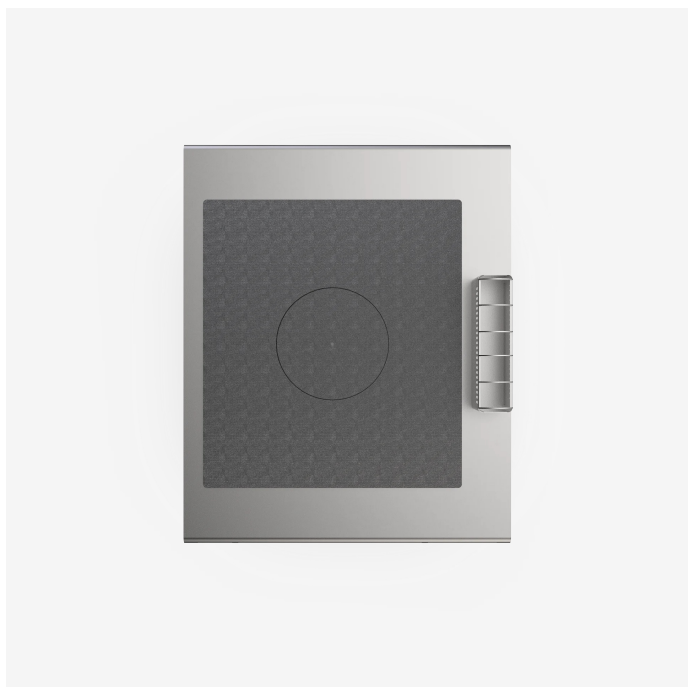


RANGE	CODE	MODEL	FUNCTION
MI - 110	CRI305790	NTIOFG9G	Solid Top

ITEM

Pass through gas cast iron solid top plate with removable bullseye gas oven range

DETAILS



RANGE	CODE	MODEL	FUNCTION
MI - 110	CRI305790	NT10FG9G	Solid Top

ITEM

Pass through gas cast iron solid top plate with removable bullseye gas oven range



TECHNICAL SPECIFICATIONS

WIDTH (mm):	900
DEPTH (mm):	1100
HEIGHT (mm):	870
WEIGHT (Kg):	296
VOLUME (m ³):	0.99
GAS POWER (kW):	22
INTERNAL OVEN DIM. (mm):	539x1018x254h
OVEN CAPACITY:	6x GN 1/1
OVEN POWER (kW):	11
COOKING ZONES N°:	1
COOKING ZONES DIM. (mm):	700x791
COOKING ZONE DETAILS:	1 x 11 kW
TEMP. RANGE (°C):	0-500
OVEN TEMP. RANGE (°C):	0-300

DESCRIPTION

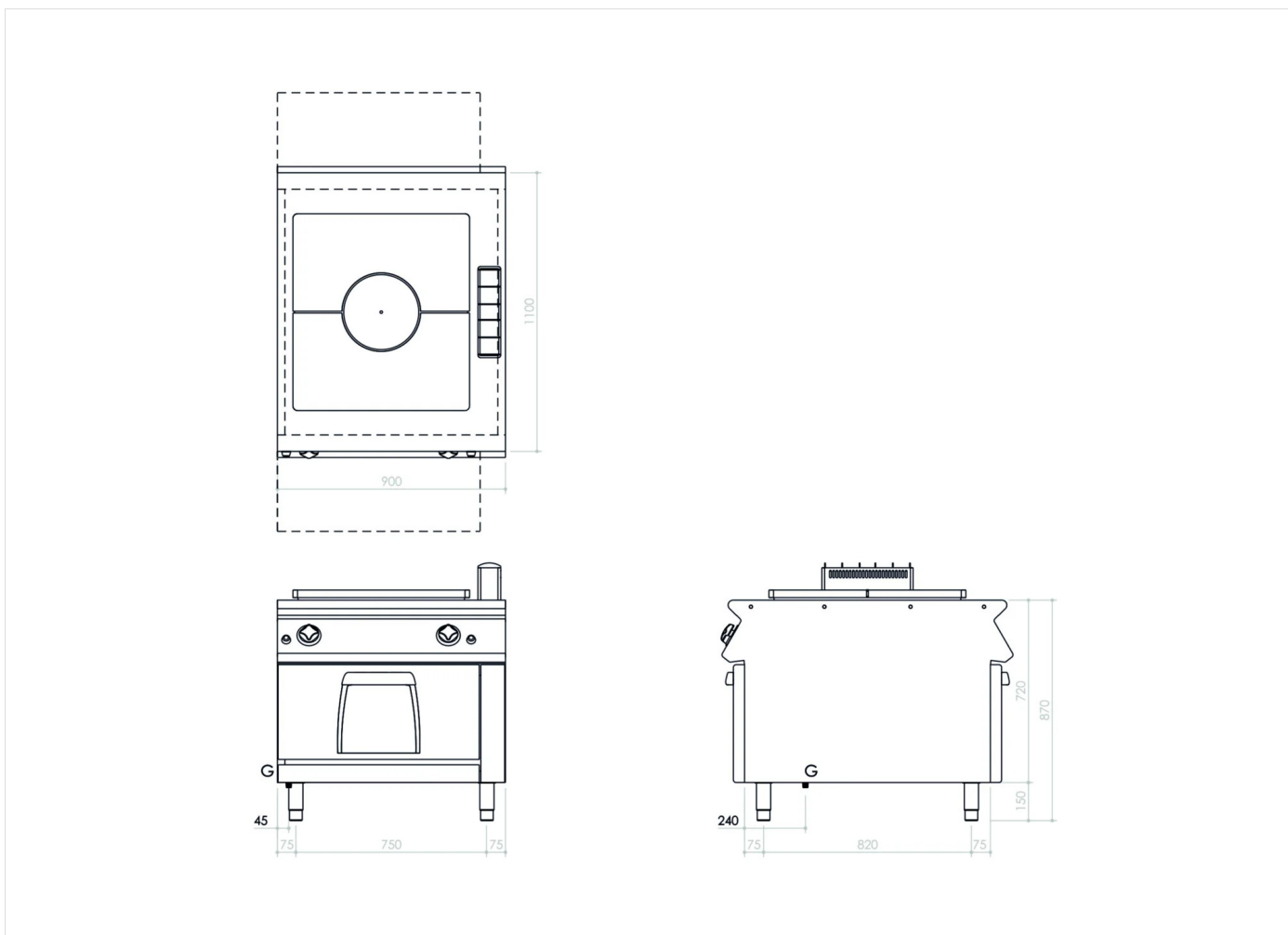
Pass-through, floor standing gas solid top with gas oven, made of AISI 304 stainless steel. Top with a 20/10 thickness, set-up for a head joint. Very thick, radiating cast iron plate, ribbed for the temperature to be distributed correctly, with a central round opening. Heating occurs by means of a stainless steel burner of enhanced power for 500 °C to be reached at the centre of the plate. Complete with a pilot burner and safety thermocouple. Gas supply controlled by a thermostatic safety valve. Automatic ignition by means of a piezoelectric device. Dimensions of the plate are 700x791 mm. Pass-through gas oven made of stainless steel equipped with a thermostatic valve for temperature adjustment from 100°C to 330°C. Stabilised flame burner complete with a pilot flame, safety thermocouple and piezoelectric ignition. Dimensions of the cooking chamber: 539x1018x292h mm³. Oven power 11 kW. Extractable oven sole made of cast iron. Worktop with a continuous section, which can be assembled in accordance with your needs with head-to-head joints so as to guarantee hygiene and easy cleaning. Appliance has height adjustable feet made of stainless steel. 2 chrome steel grilles are supplied.



RANGE	CODE	MODEL	FUNCTION
MI - 110	CRI3O5790	NTIOFG9G	Solid Top

ITEM

Pass through gas cast iron solid top plate with removable bullseye gas oven range



INSTALLATION SPECIFICATIONS

(G) Gas Inlet: $\text{Ø}1/2''$

