

RANGE	CODE	MODEL	FUNCTION
MI - 110	CRI500100	NV109EI	Glassceramic Ranges

ITEM

Pass through 4 ceramic hotplate electric boiling top on open hygienic H2 stand



RANGE	CODE	MODEL	FUNCTION
MI - 110	CR1500100	NV109EI	Glassceramic Ranges

ITEM

Pass through 4 ceramic hotplate electric boiling top on open hygienic H2 stand

DETAILS



RANGE	CODE	MODEL	FUNCTION
MI - 110	CR1500100	NV109EI	Glassceramic Ranges

ITEM

Pass through 4 ceramic hotplate electric boiling top on open hygienic H2 stand



**TECHNICAL SPECIFICATIONS**

WIDTH (mm):	900
DEPTH (mm):	1100
HEIGHT (mm):	870
WEIGHT (Kg):	69
VOLUME (m <sup>3</sup> ):	0.99
EL. POWER (kW):	16
VOLTAGE:	VAC400 3N
INTERNAL BASE UNIT DIM. (mm):	840x970x375(h)
COOKING ZONES N°:	4
COOKING ZONES DIM. (mm):	750x700
IP GRADE:	IPX5

**DESCRIPTION**

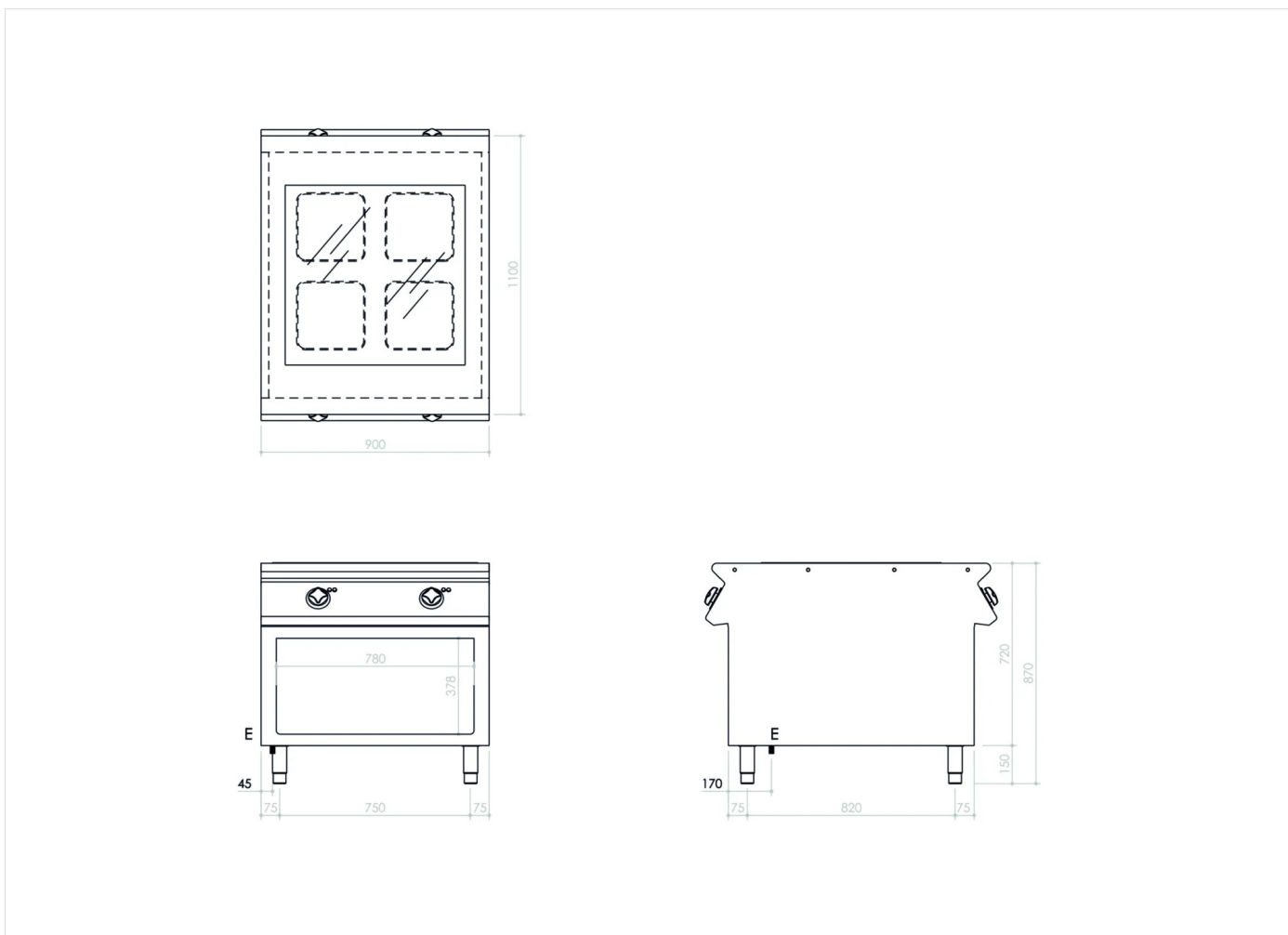
Pass-through, floor standing electric cooker top with a glass ceramic worktop on double skin hygienic H2 open base unit, made of AISI 304 stainless steel. Top with a 20/10 thickness, set-up for a head joint. Equipped with 4 separate cooking areas, each one with radiating elements of 4 kW and controlled by a power regulator. 6 mm glass ceramic hob, hermetically sealed to the worktop. Maximum temperature 400 °C in 3 minutes. Dimensions of the plate are 750x700 mm. Hot areas are closed by screen printing on the glass and equipped with indication lamps for residual heat. Indicator lamps verify that the appliance functions properly.



RANGE	CODE	MODEL	FUNCTION
MI - 110	CR1500100	NV109EI	Glassceramic Ranges

ITEM

Pass through 4 ceramic hotplate electric boiling top on open hygienic H2 stand



**INSTALLATION SPECIFICATIONS**

(E) Electrical Connection: **VAC400 3N 50Hz**

